

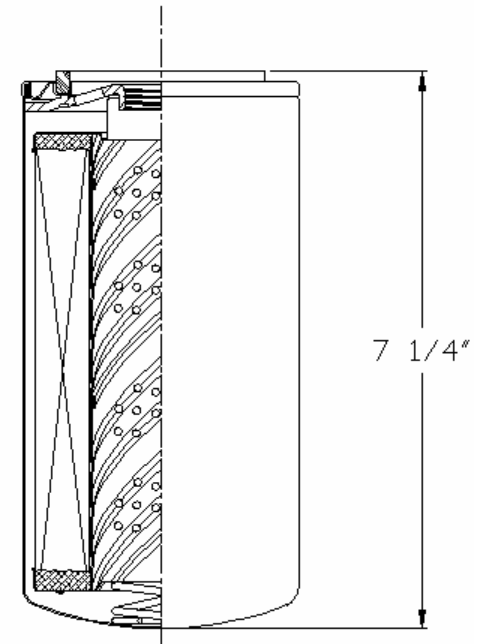
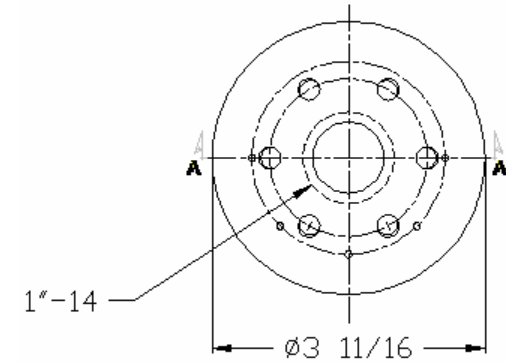


201 N. Champaign St. Bement, Illinois 61813

## FUEL OIL FILTER 10 MICRON

**Media Type:** Synthetic Media

### Technical Data Sheet - 70997



Gasket:

I. D. 2 13/32

O. D. 2 25/32

#### NOTES:

1. Technical Data subject to change without notice.
2. Tests are conducted with Mobile Aero HFA Aviation Hydraulic Fluid.
3. Filters are not to be used with aviation applications.