

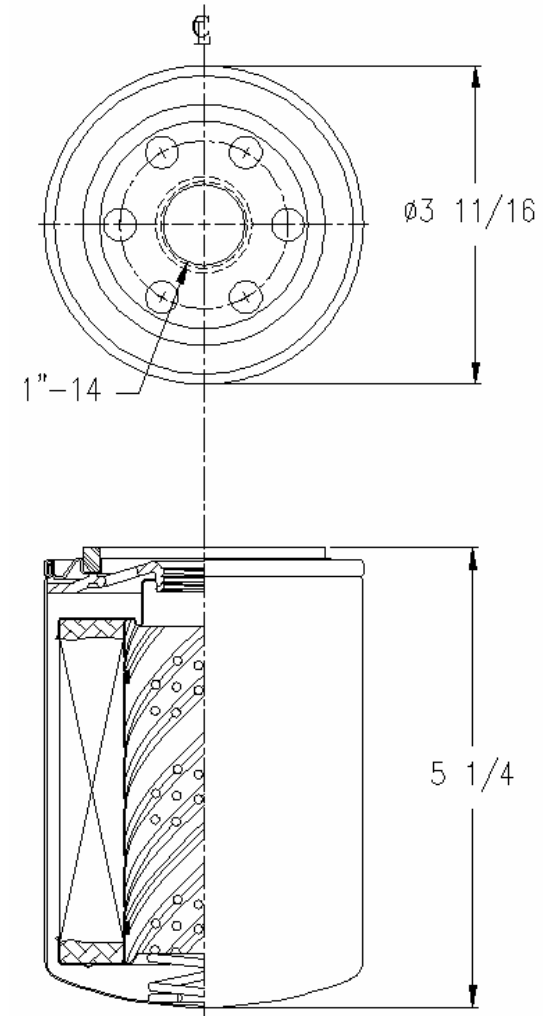


201 N. Champaign St. Bement, Illinois 61813

FUEL OIL FILTER 10 MICRON

Media Type: Synthetic Media

Technical Data Sheet - 70996



NOTES:

1. Technical Data subject to change without notice.
2. Tests are conducted with Mobile Aero HFA Aviation Hydraulic Fluid.
3. Filters are not to be used with aviation applications.

jw 02/25/09 Rev A

Gasket:

I. D. $2 \frac{13}{32}$

O. D. $2 \frac{25}{32}$