



201 N. Champaign St. Bement, Illinois 61813

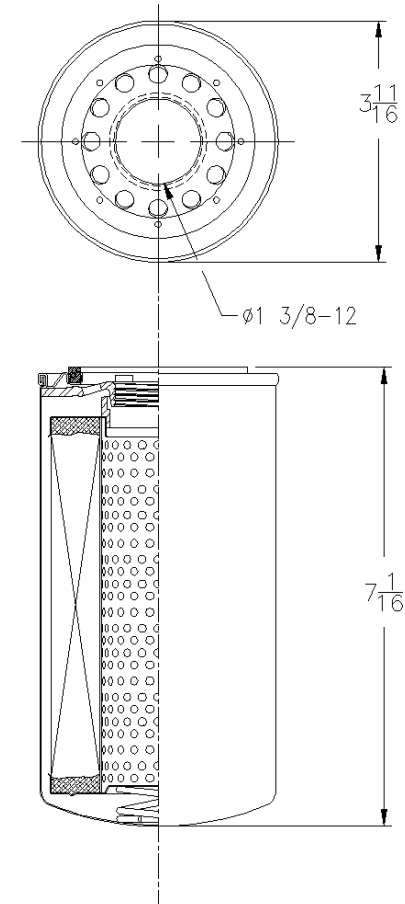
250AE-02 250 SERIES 2 MICRON

Media Type: Cellulose

Max Working Pressure (psi): 50

Core Collapse Pressure (psid): 80

Technical Data Sheet – 70821



NOTES:

1. Technical Data subject to change without notice.
2. Tests are conducted with Mobile Aero HFA Aviation Hydraulic Fluid.
3. Filters are not to be used with aviation applications.

Gasket:

I. D. $2\frac{13}{32}$

O. D. $2\frac{25}{32}$