



201 N. Champaign St. Bement, Illinois 61813

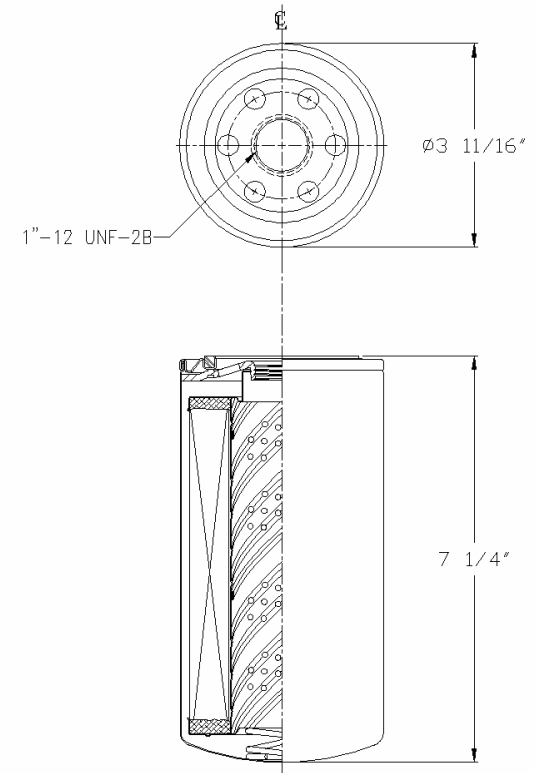
Technical Data Sheet – 70819

250E-02 250 SERIES 2 MICRON

Media Type: Cellulose

Max Working Pressure (psi): 50

Core Collapse Pressure (psid): 80



NOTES:

1. Technical Data subject to change without notice.
2. Tests are conducted with Mobile Aero HFA Aviation Hydraulic Fluid.
3. Filters are not to be used with aviation applications.

jw 02/24/09 Rev A

Gasket:

I. D. $2 \frac{13}{32}$

O. D. $2 \frac{25}{32}$