



201 N. Champaign St. Bement, Illinois 61813

800-02 800 SERIES 2 MICRON

Media Type: Cellulose

Max Working Pressure (psi): 50

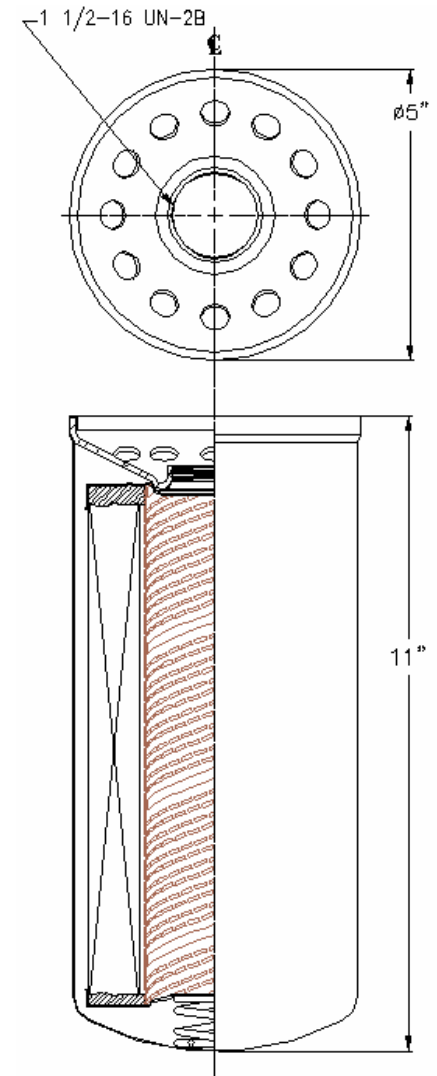
Core Collapse Pressure (psid): 80

NOTES:

1. Technical Data subject to change without notice.
2. Tests are conducted with Mobile Aero HFA Aviation Hydraulic Fluid.
3. Filters are not to be used with aviation applications.

jw 02/24/09 Rev A

Technical Data Sheet – 70814



Gasket:

I. D. $4\ 23/32$

O. D. $5\ 1/16$