



201 N. Champaign St. Bement, Illinois 61813

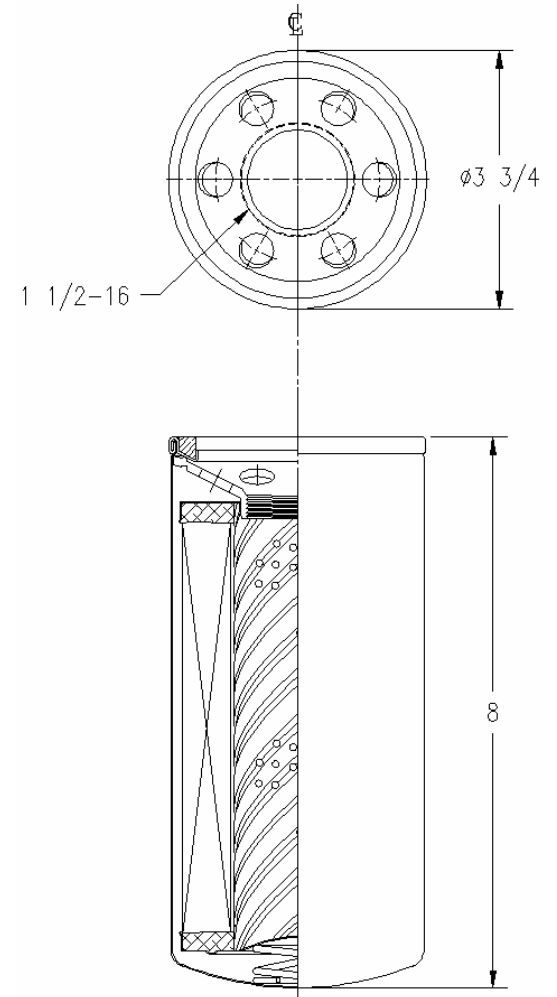
450-02 450 SERIES 2 MICRON

Media Type: Cellulose

Max Working Pressure (psi): 50

Core Collapse Pressure (psid): 80

Technical Data Sheet – 70810



NOTES:

1. Technical Data subject to change without notice.
2. Tests are conducted with Mobile Aero HFA Aviation Hydraulic Fluid.
3. Filters are not to be used with aviation applications.

jw 02/24/09 Rev A

Gasket:

I. D. 2 31/32

O. D. 3 15/32