



201 N. Champaign St. Bement, Illinois 61813

## COMPRESSOR REPLACEMENT B12=75 WITH 18 LB. BYPASS

**Media Type:** Microglass

Max Working Pressure (psi): 175

Core Collapse Pressure (psid): 80

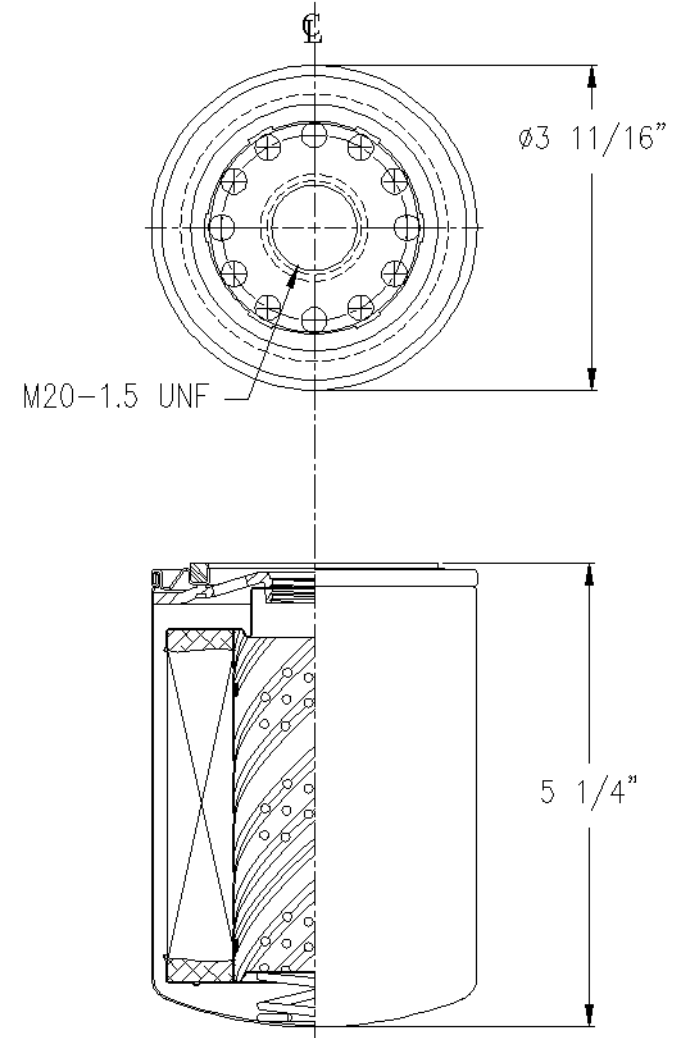
$\beta_6=2$

$\beta_{12}=75$

$\beta_{13}=200$

$\beta_{14}=500$

### Technical Data Sheet - 70739



#### NOTES:

1. Technical Data subject to change without notice.
2. Tests are conducted with Mobile Aero HFA Aviation Hydraulic Fluid.
3. Filters are not to be used with aviation applications.

Gasket:

I. D. 2 13/32

O. D. 2 25/32