



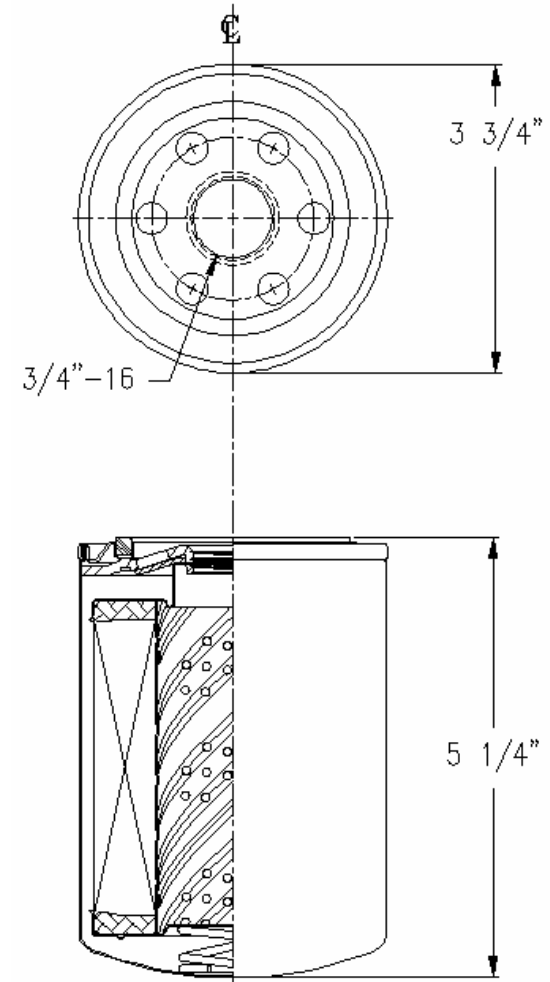
201 N. Champaign St. Bement, Illinois 61813

COMPRESSOR REPLACEMENT B33=75 WITH ANTI DRAIN BACK VALVE

Media Type: Cellulose
Max Working Pressure (psi): 175
Core Collapse Pressure (psi): 80

$\beta_{10}=2$
 $\beta_{14}=3$
 $\beta_{33}=75$
 $\beta_{37}=200$
 $\beta_{46}=500$

Technical Data Sheet - 70676



Gasket:

I. D. 2 13/32
O. D. 2 25/32

NOTES:

1. Technical Data subject to change without notice.
2. Tests are conducted with Mobile Aero HFA Aviation Hydraulic Fluid.
3. Filters are not to be used with aviation applications.