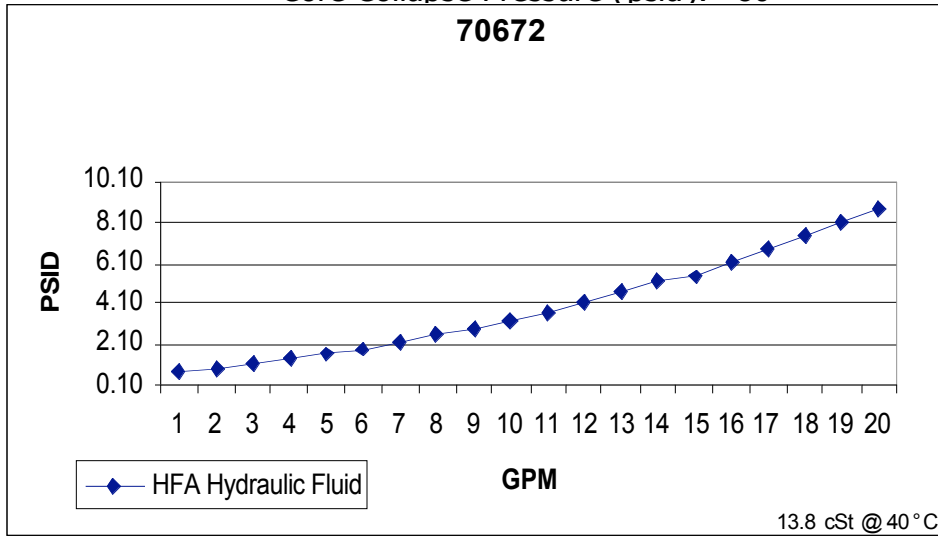


COMPRESSOR REPLACEMENT B23=75 WITH 25 LB. BYPASS

Media Type: Cellulose

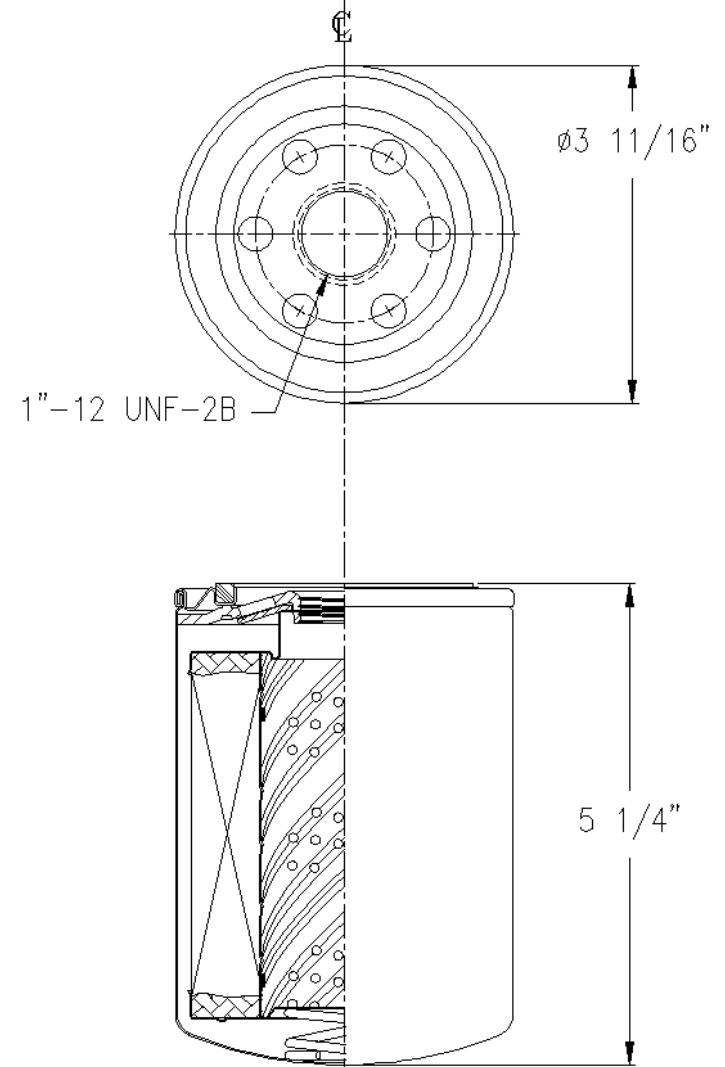
Max Working Pressure (psi): 175

Core Collapse Pressure (psid): 80



β6=2
β14=4
β23=75
β28=200
β30=500

Technical Data Sheet - 70672



NOTES:

1. Technical Data subject to change without notice.
2. Tests are conducted with Mobile Aero HFA Aviation Hydraulic Fluid.
3. Filters are not to be used with aviation applications.