



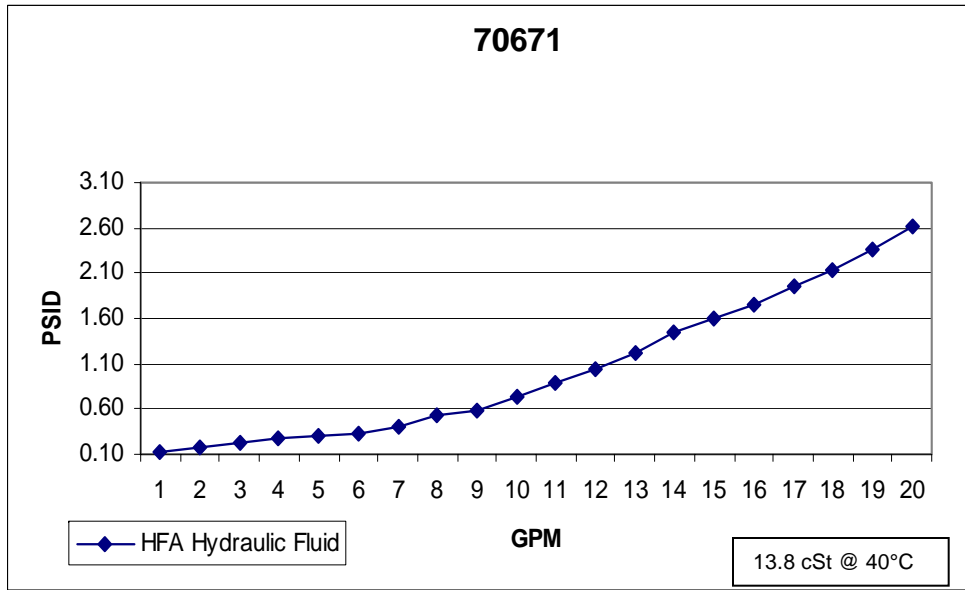
201 N. Champaign St. Bement, Illinois 61813

## COMPRESSOR REPLACEMENT B33=75

**Media Type:** Cellulose

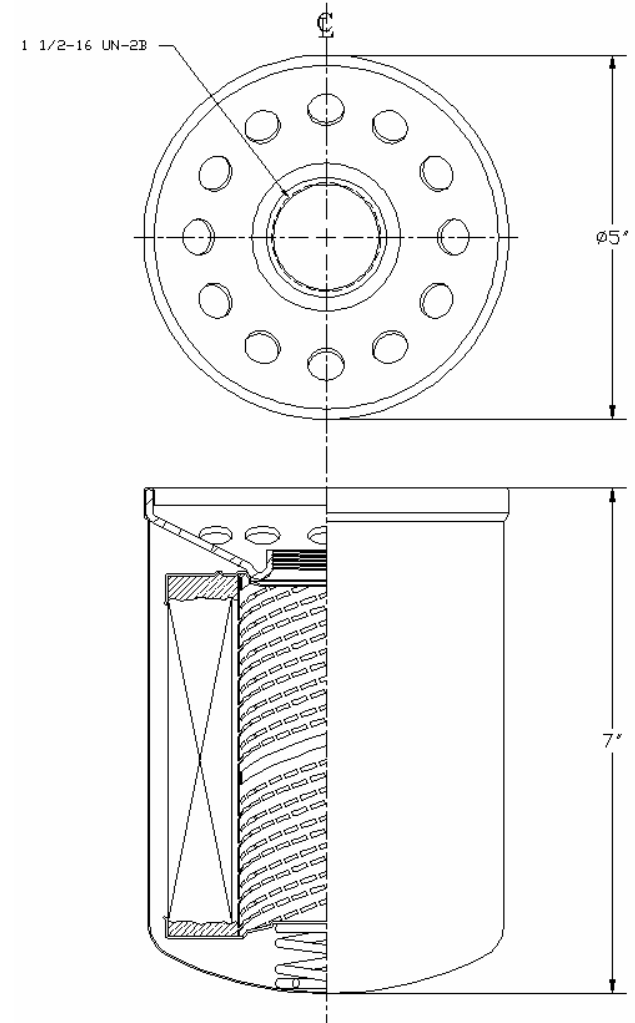
Max Working Pressure (psi): 100

Core Collapse Pressure (psid): 80



B10=2  
 β14=3  
 β33=75  
 β37=200  
 β46=500

## Technical Data Sheet - 70671



Gasket:  
 I. D. 4 23/32  
 O. D. 5 1/16

**NOTES:**

1. Technical Data subject to change without notice.
2. Tests are conducted with Mobile Aero HFA Aviation Hydraulic Fluid.
3. Filters are not to be used with aviation applications.