



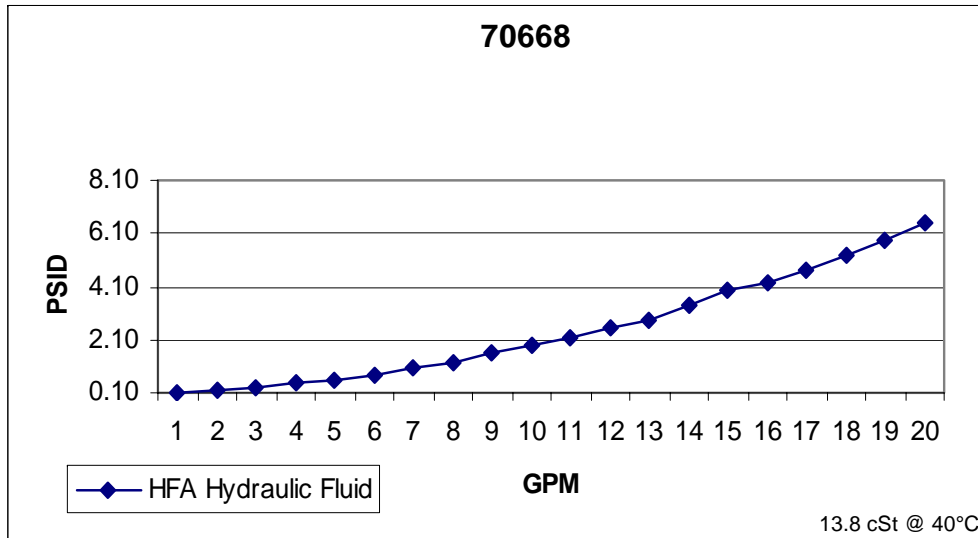
201 N. Champaign St. Bement, Illinois 61813

COMPRESSOR REPLACEMENT B25=75

Media Type: Cellulose Resin

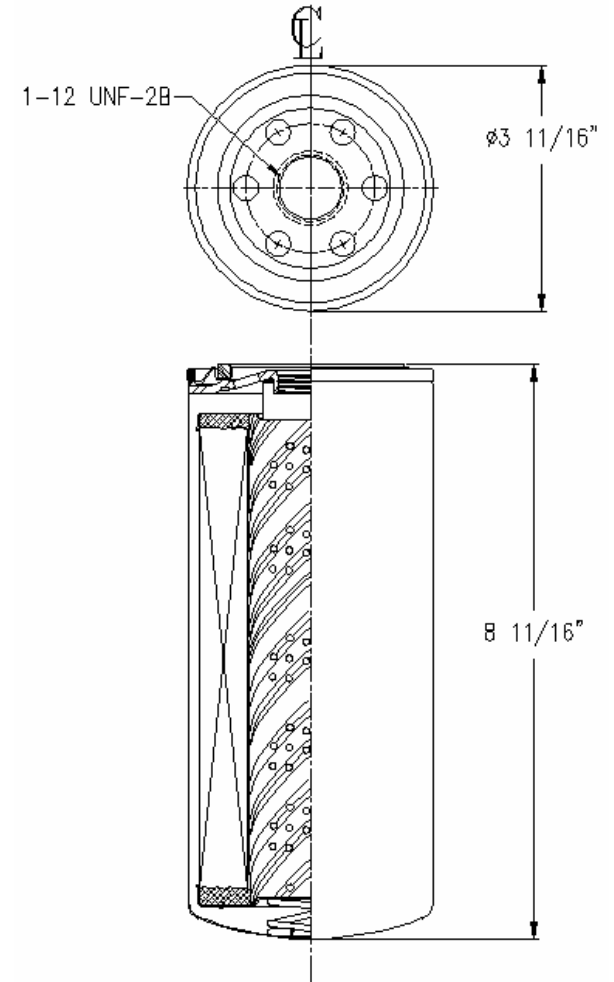
Max Working Pressure (psi): 175

Core Collapse Pressure (psid): 80



β6=2
 β14=4
 β25=75
 β28=200
 β30=500

Technical Data Sheet - 70668



Gasket:

I. D. 2 13/32

O. D. 2 25/32

NOTES:

1. Technical Data subject to change without notice.
2. Tests are conducted with Mobile Aero HFA Aviation Hydraulic Fluid.
3. Filters are not to be used with aviation applications.