



201 N. Champaign St. Bement, Illinois 61813

COMPRESSOR REPLACEMENT B33=75 15# BYPASS WITH ANTI DRAIN BACK VALVE

Media Type: Cellulose

Max Working Pressure (psi): 175

Core Collapse Pressure (psid): 80

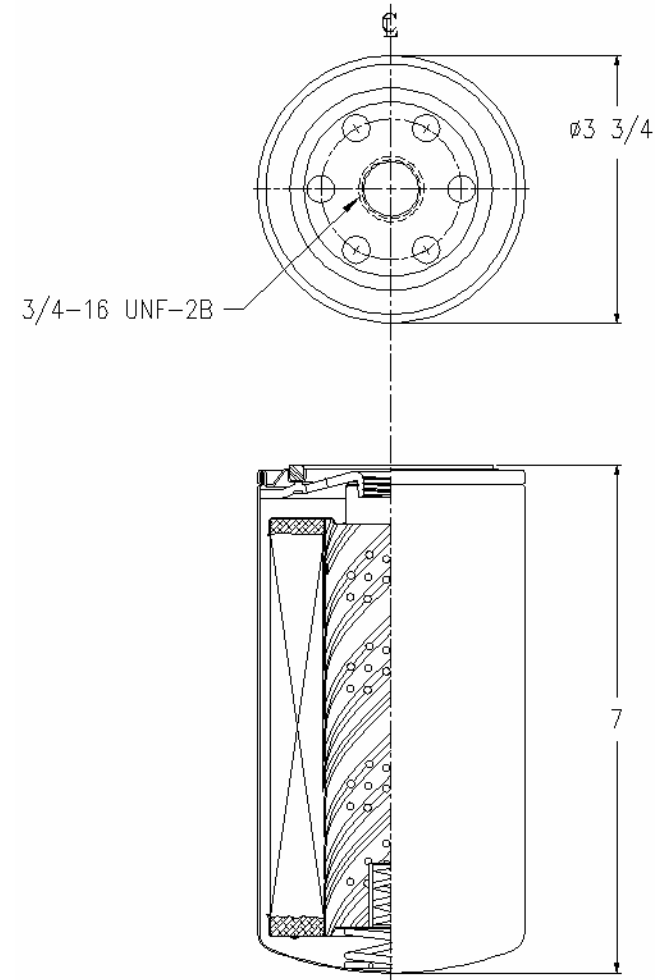
$\beta_{14}=3$

$\beta_{33}=75$

$\beta_{37}=200$

$\beta_{46}=500$

Technical Data Sheet - 70564



NOTES:

1. Technical Data subject to change without notice.
2. Tests are conducted with Mobile Aero HFA Aviation Hydraulic Fluid.
3. Filters are not to be used with aviation applications.

jw 02/25/09 Rev A

Gasket:

I. D. 2 13/32

O. D. 2 25/32