



201 N. Champaign St. Bement, Illinois 61813

## COMPRESSOR REPLACEMENT B23=75 30# BYPASS

**Media Type:** Cellulose

Max Working Pressure (psi): 175

Core Collapse Pressure (psid): 80

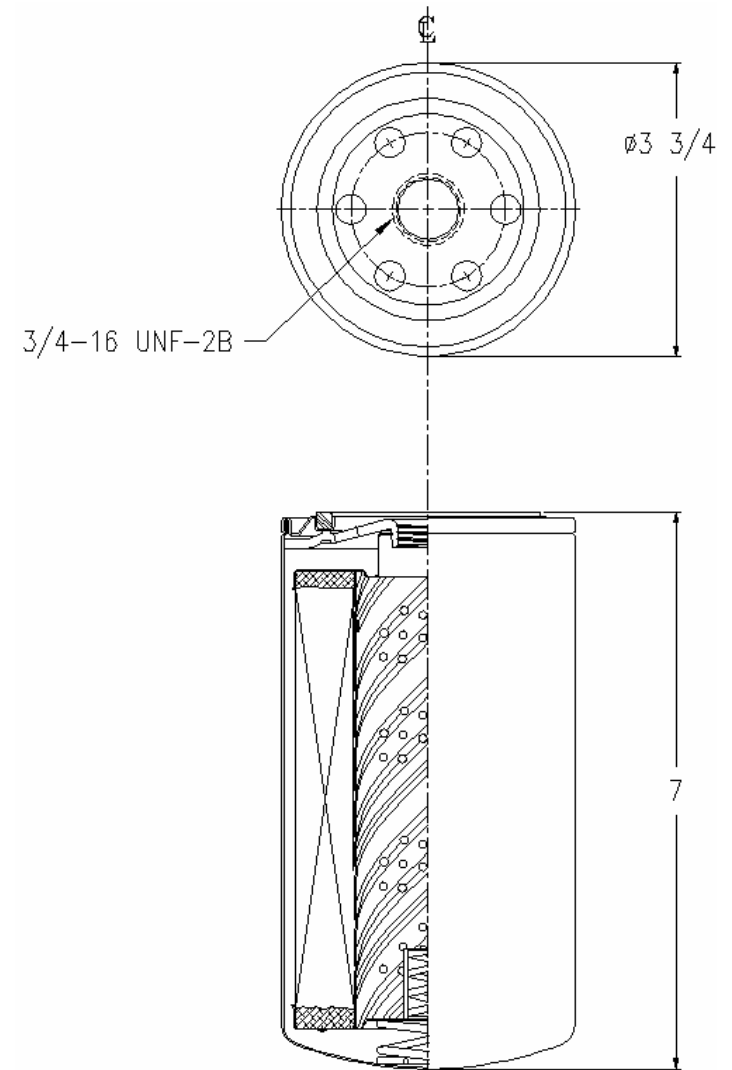
$\beta_6=2$   
 $\beta_{14}=4$   
 $\beta_{23}=75$   
 $\beta_{24}=200$   
 $\beta_{30}=500$

### NOTES:

1. Technical Data subject to change without notice.
2. Tests are conducted with Mobile Aero HFA Aviation Hydraulic Fluid.
3. Filters are not to be used with aviation applications.

jw 02/25/09 Rev A

## Technical Data Sheet - 70562



Gasket:

I. D. 2 13/32

O. D. 2 25/32