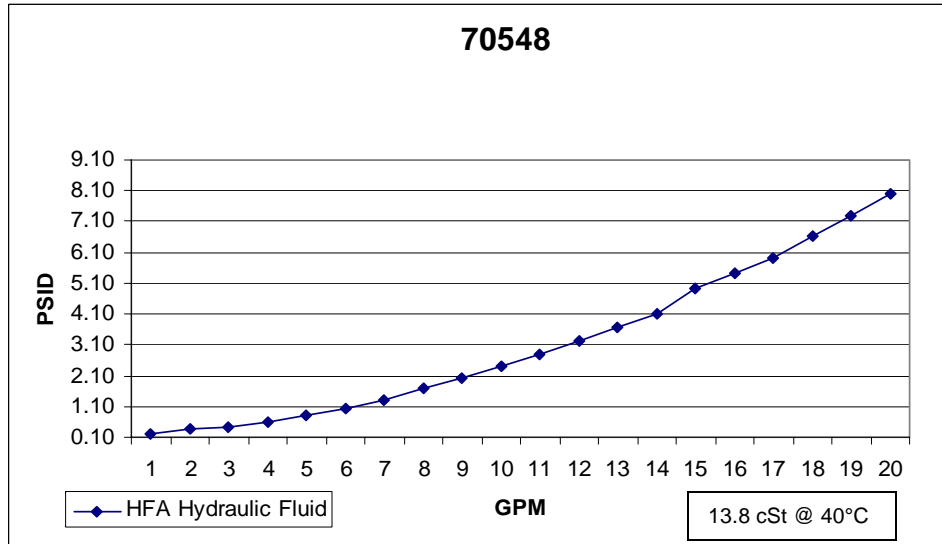




201 N. Champaign St. Bement, Illinois 61813

## COMPRESSOR REPLACEMENT B17=75

**Media Type:** Cellulose Resin  
 Max Working Pressure (psi): 175  
 Core Collapse Pressure (psid): 80

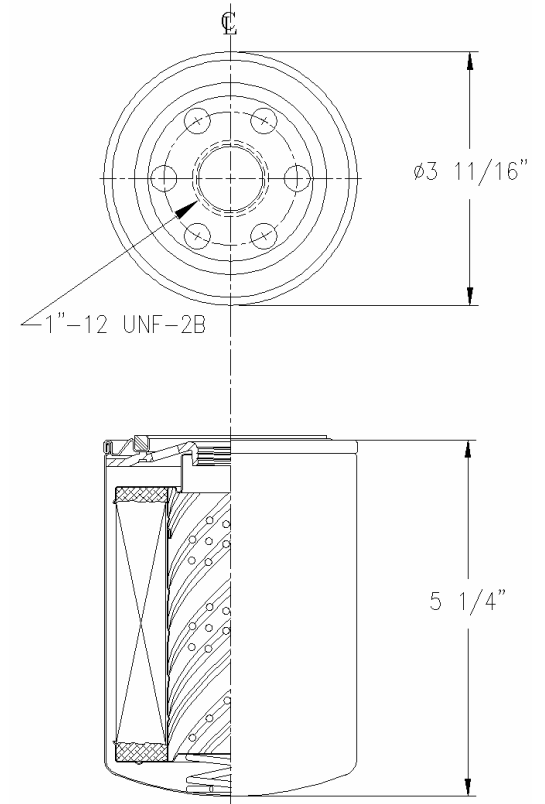


**NOTES:**

1. Technical Data subject to change without notice.
2. Tests are conducted with Mobile Aero HFA Aviation Hydraulic Fluid.
3. Filters are not to be used with aviation applications.

jw 02/13/09 Rev A

### Technical Data Sheet - 70548



B4=2  
 β6=3  
 β14=34  
 β17=75  
 β28=200

**Gasket:**

I. D. 2 13/32  
 O. D. 2 25/32