



201 N. Champaign St. Bement, Illinois 61813

50 SERIES B17=75

Media Type: Cellulose

Max Working Pressure (psi): 175

Core Collapse Pressure (psid): 80

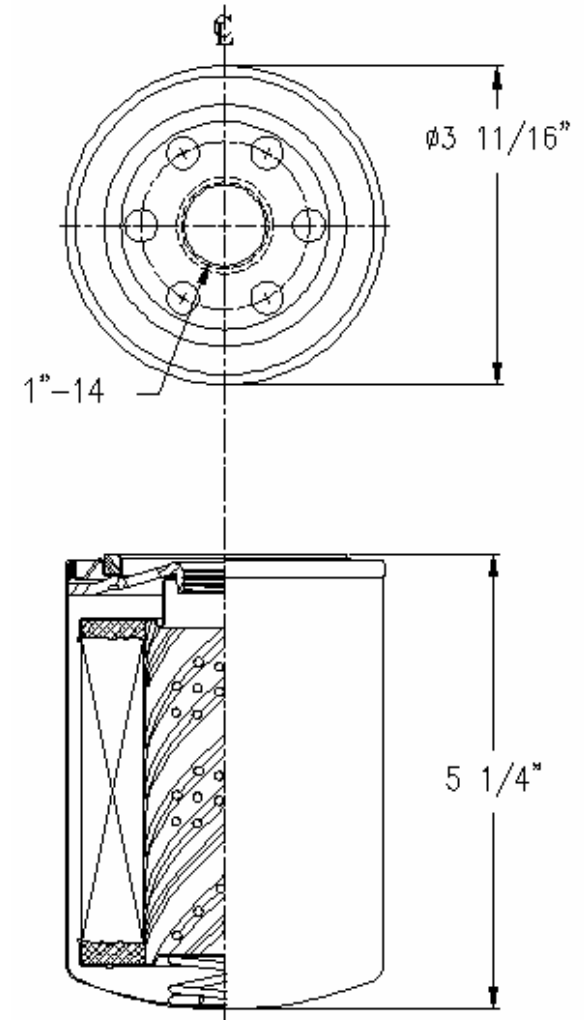
$\beta_4=2$
 $\beta_6=3$
 $\beta_{14}=34$
 $\beta_{17}=75$
 $\beta_{28}=200$

NOTES:

1. Technical Data subject to change without notice.
2. Tests are conducted with Mobile Aero HFA Aviation Hydraulic Fluid.
3. Filters are not to be used with aviation applications.

jw 02/25/09 Rev A

Technical Data Sheet - 70395



Gasket:

I. D. $2 \frac{13}{32}$

O. D. $2 \frac{25}{32}$