



201 N. Champaign St. Bement, Illinois 61813

### Technical Data Sheet - 70349

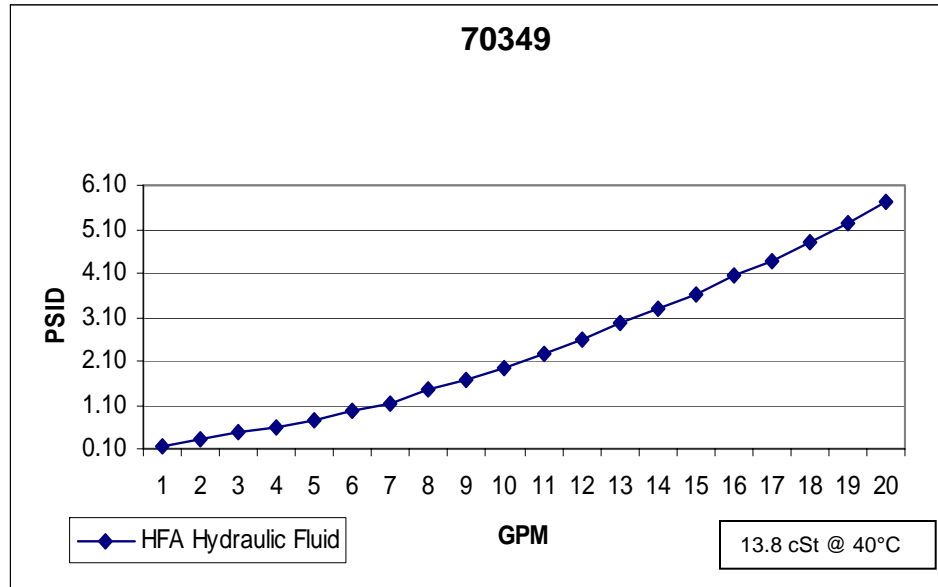
1 1/4-11 BSP

## 41 SERIES B9=75

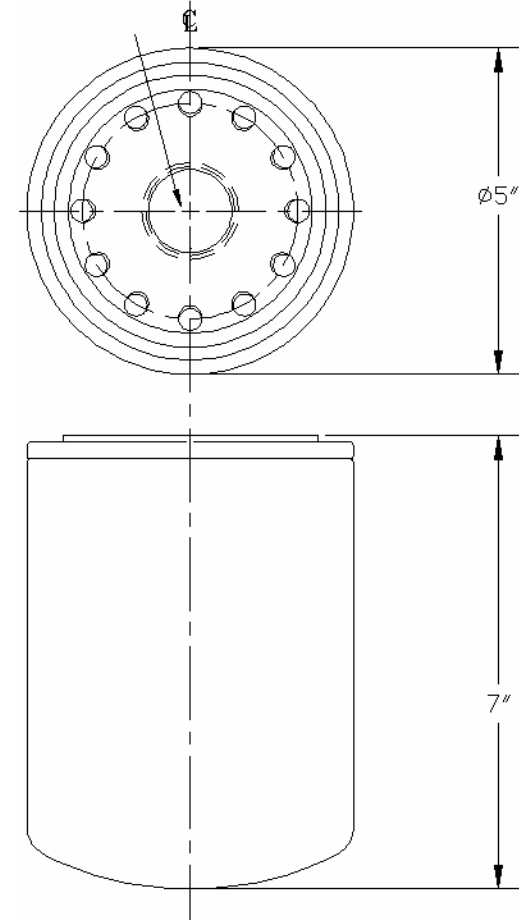
**Media Type:** Hydroglass

Max Working Pressure (psi): 100

Core Collapse Pressure (psid): 80



β4=2  
 β6=4  
 β9=75  
 β12=200  
 β11=500



**NOTES:**

1. Technical Data subject to change without notice.
2. Tests are conducted with Mobile Aero HFA Aviation Hydraulic Fluid.
3. Filters are not to be used with aviation applications.

**Gasket:**

I. D. 3 13/16

O. D. 4 1/4