



201 N. Champaign St. Bement, Illinois 61813

41 SERIES B12=75

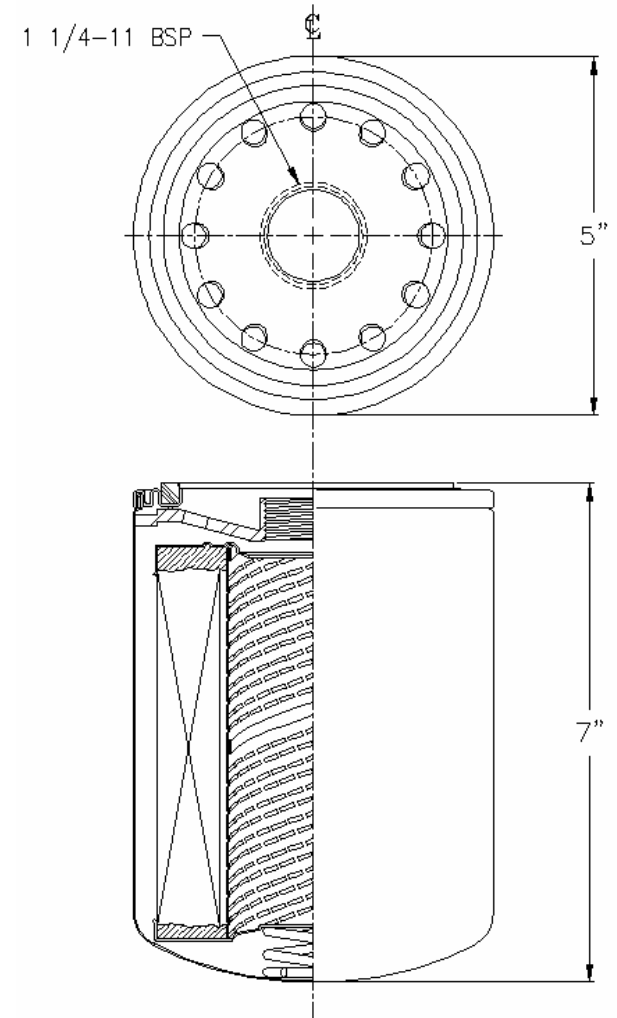
Media Type: Microglass

Max Working Pressure (psi): 100

Core Collapse Pressure (psid): 80

$\beta_6=2$
 $\beta_{12}=75$
 $\beta_{13}=200$
 $\beta_{14}=500$

Technical Data Sheet - 70348



NOTES:

1. Technical Data subject to change without notice.
2. Tests are conducted with Mobile Aero HFA Aviation Hydraulic Fluid.
3. Filters are not to be used with aviation applications.

jw 02/24/09 Rev A

Gasket:

I. D. 3 13/16

O. D. 4 1/4