



201 N. Champaign St. Bement, Illinois 61813

Technical Data Sheet - 70324

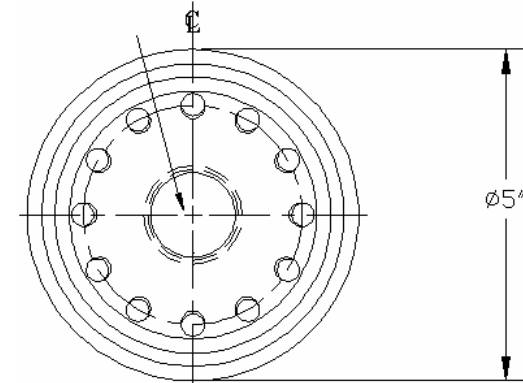
1 1/4-11 BSP

COMPRESSOR REPLACEMENT B9=75

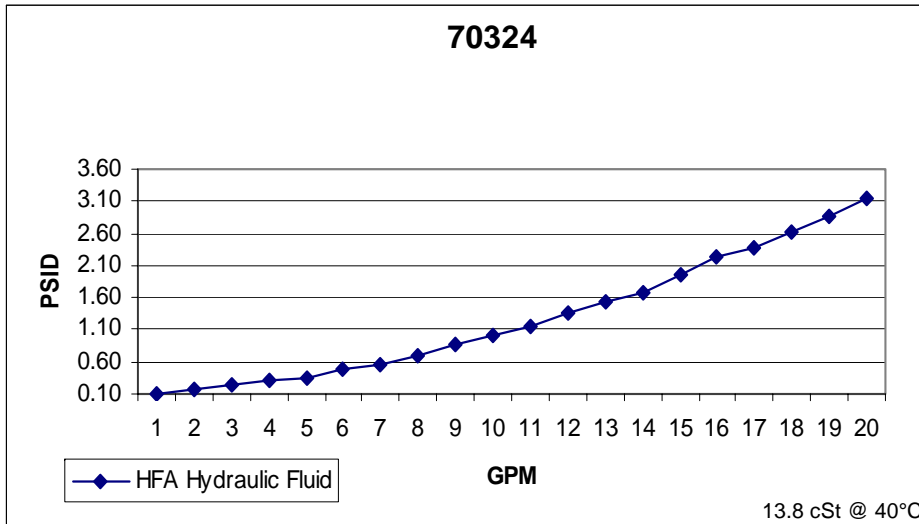
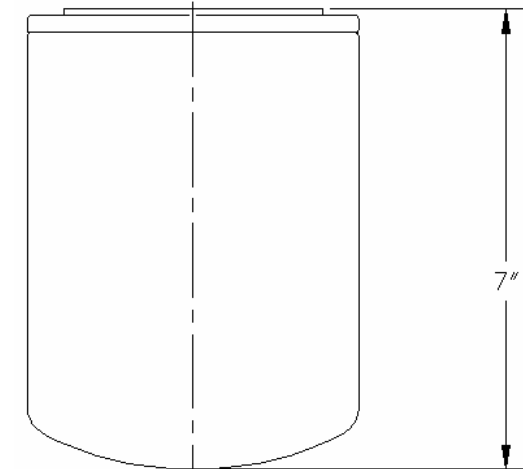
Media Type: Microglass

Max Working Pressure (psi): 100

Core Collapse Pressure (psid): 80



β4=6
β6=19
β9=75
β12=200
β14=500



NOTES:

1. Technical Data subject to change without notice.
2. Tests are conducted with Mobile Aero HFA Aviation Hydraulic Fluid.
3. Filters are not to be used with aviation applications.

Gasket:

I. D. 3 13/16

O. D. 4 1/4