



201 N. Champaign St. Bement, Illinois 61813

COMPRESSOR REPLACEMENT B12=75 25# BYPASS

Media Type: Microglass

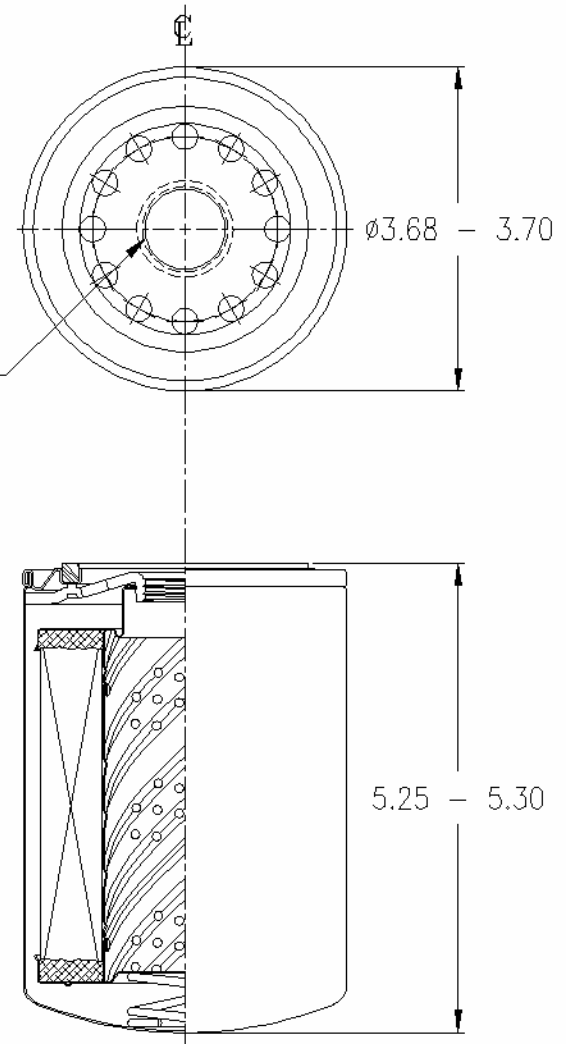
Max Working Pressure (psi): 175

Core Collapse Pressure (psi): 80

$\beta_6=2$
 $\beta_{12}=75$
 $\beta_{13}=200$
 $\beta_{14}=500$

.970-20 UN

Technical Data Sheet - 70320



NOTES:

1. Technical Data subject to change without notice.
2. Tests are conducted with Mobile Aero HFA Aviation Hydraulic Fluid.
3. Filters are not to be used with aviation applications.

Gasket:

I. D. 2 13/32

O. D. 2 25/32