



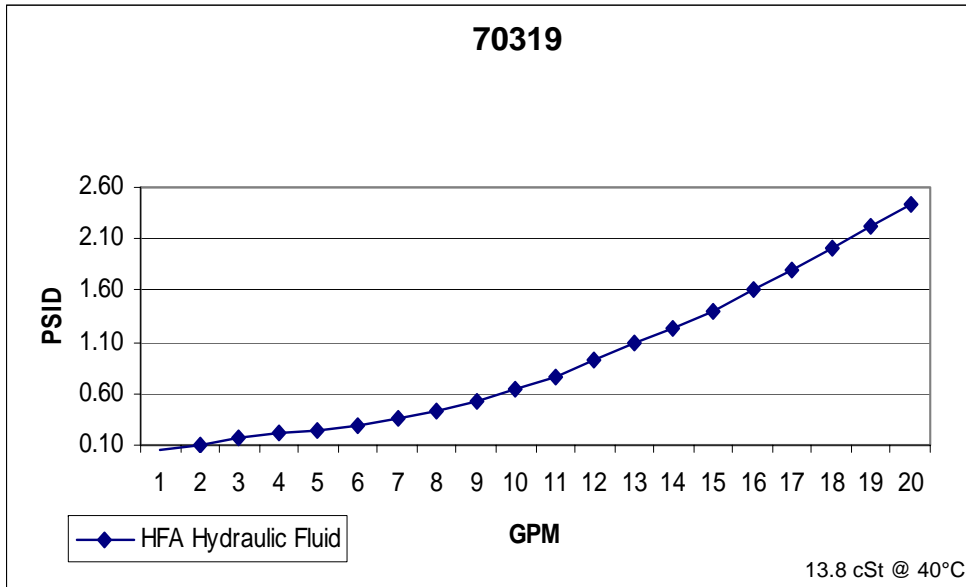
201 N. Champaign St. Bement, Illinois 61813

COMPRESSOR REPLACEMENT B12=75

Media Type: Microglass

Max Working Pressure (psi): 100

Core Collapse Pressure (psid): 80

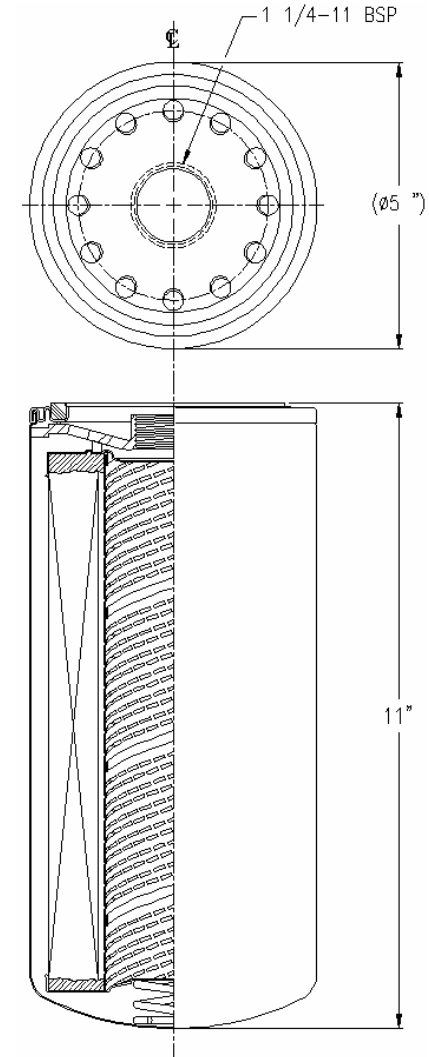


NOTES:

1. Technical Data subject to change without notice.
2. Tests are conducted with Mobile Aero HFA Aviation Hydraulic Fluid.
3. Filters are not to be used with aviation applications.

init date rev

Technical Data Sheet - 70319



β6=2
 β12=75
 β13=200
 β14=500

Gasket:

I. D. 3 13/16

O. D. 4 1/4