



201 N. Champaign St. Bement, Illinois 61813

## COMPRESSOR REPLACEMENT B12=75

**Media Type:** Microglass

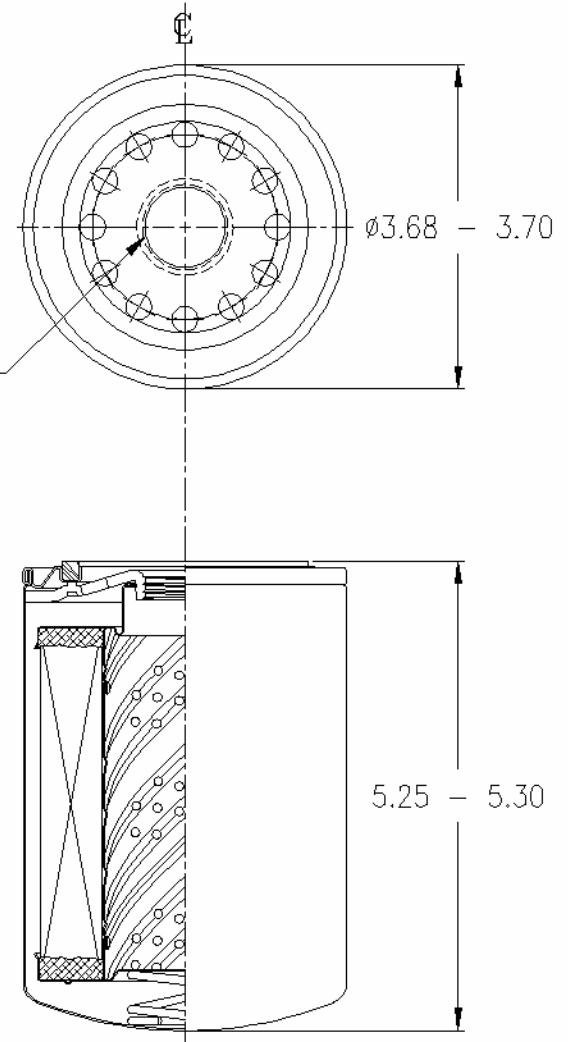
Max Working Pressure (psi): 175

Core Collapse Pressure (psid): 80

$\beta_6=2$   
 $\beta_{12}=75$   
 $\beta_{13}=200$   
 $\beta_{14}=500$

.970-20 UN

### Technical Data Sheet - 70317



Gasket:

I. D. 2 13/32

O. D. 2 25/32

#### NOTES:

1. Technical Data subject to change without notice.
2. Tests are conducted with Mobile Aero HFA Aviation Hydraulic Fluid.
3. Filters are not to be used with aviation applications.