



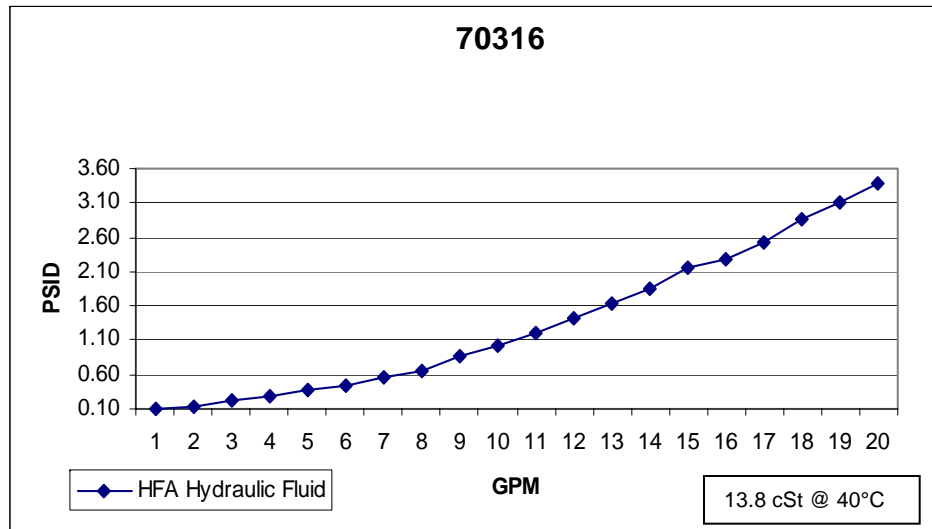
201 N. Champaign St. Bement, Illinois 61813

COMPRESSOR REPLACEMENT B17=75

Media Type: Cellulose

Max Working Pressure (psi): 100

Core Collapse Pressure (psid): 80

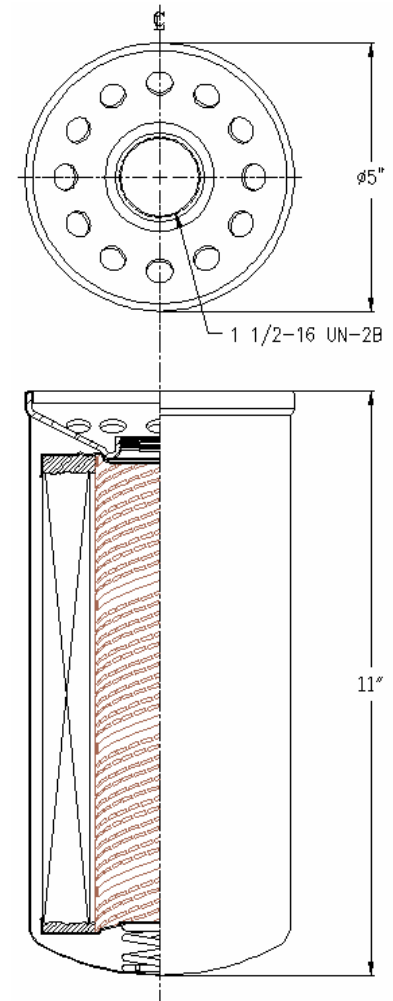


NOTES:

1. Technical Data subject to change without notice.
2. Tests are conducted with Mobile Aero HFA Aviation Hydraulic Fluid.
3. Filters are not to be used with aviation applications.

init date rev

Technical Data Sheet - 70316



B4=2
 $\beta_6=3$
 $\beta_{14}=34$
 $\beta_{17}=75$
 $\beta_{28}=200$
 $\beta_{>50}=500$

Gasket:

I. D. 4 23/32
 O. D. 5 1/16