



201 N. Champaign St. Bement, Illinois 61813

## 23 SERIES B33=75

**Media Type:** Cellulose

Max Working Pressure (psi): 175

Core Collapse Pressure (psid): 80

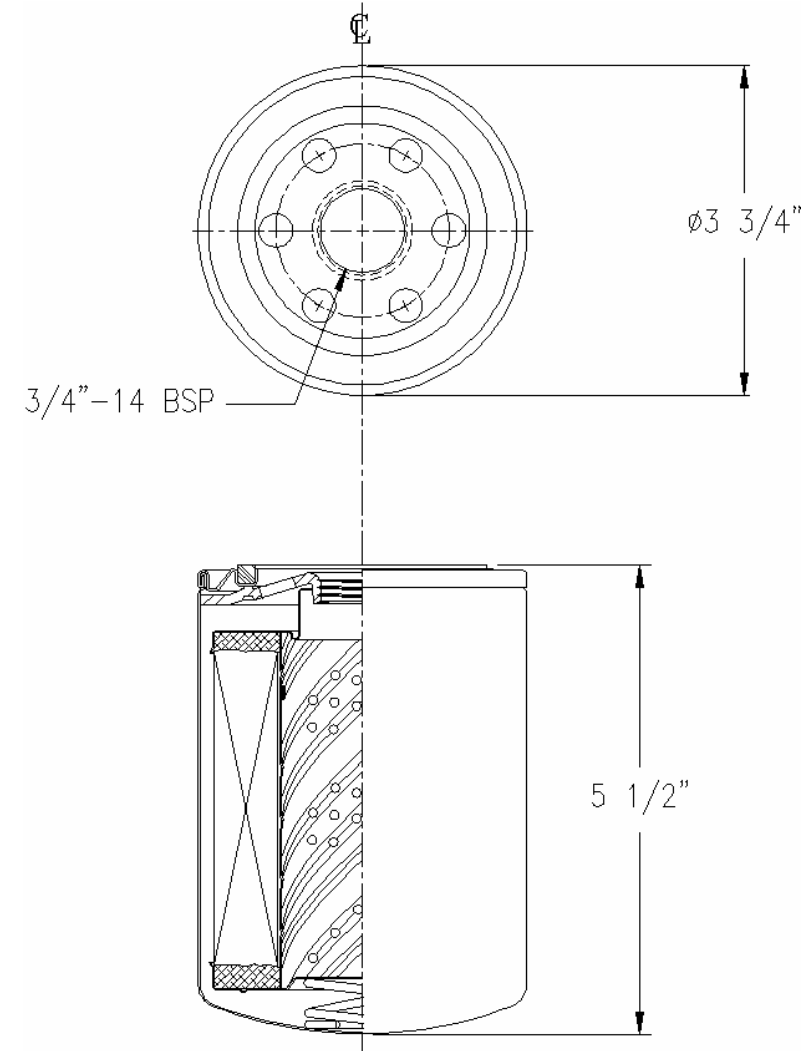
$\beta_{10}=2$   
 $\beta_{14}=3$   
 $\beta_{33}=75$   
 $\beta_{37}=200$   
 $\beta_{46}=500$

### NOTES:

1. Technical Data subject to change without notice.
2. Tests are conducted with Mobile Aero HFA Aviation Hydraulic Fluid.
3. Filters are not to be used with aviation applications.

jw 02/24/09 Rev A

## Technical Data Sheet - 70273



Gasket:

I. D.  $2 \frac{13}{32}$

O. D.  $2 \frac{25}{32}$