



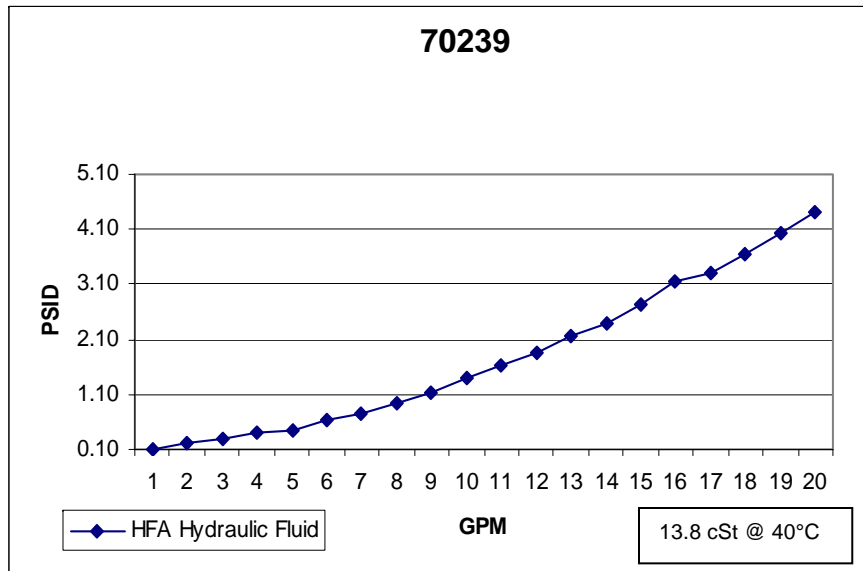
201 N. Champaign St. Bement, Illinois 61813

41 SERIES 17=75

Media Type: Cellulose

Max Working Pressure (psi): 100

Core Collapse Pressure (psid): 80

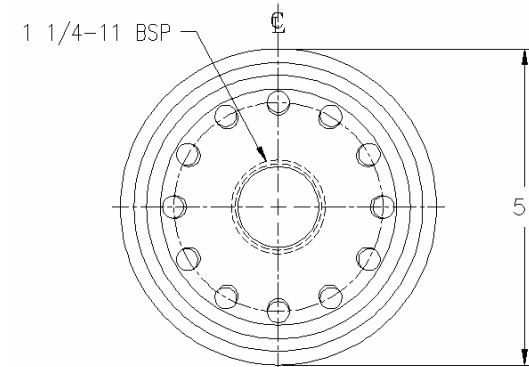


NOTES:

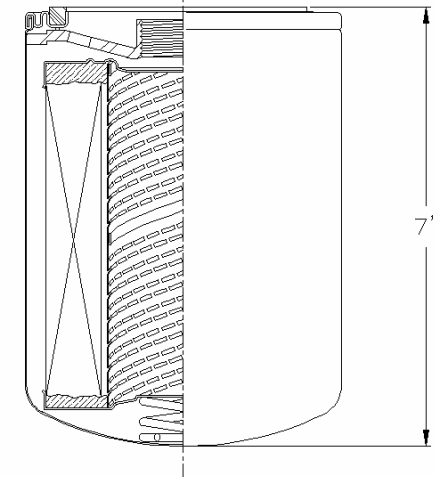
1. Technical Data subject to change without notice.
2. Tests are conducted with Mobile Aero HFA Aviation Hydraulic Fluid.
3. Filters are not to be used with aviation applications.

jw 02/13/09 Rev A

Technical Data Sheet - 70239



$\beta_4=2$
 $\beta_6=3$
 $\beta_{14}=34$
 $\beta_{17}=75$
 $\beta_{28}=200$
 $\beta_{>50}=500$



Gasket:

I. D. 3 13/16

O. D. 4 1/4