



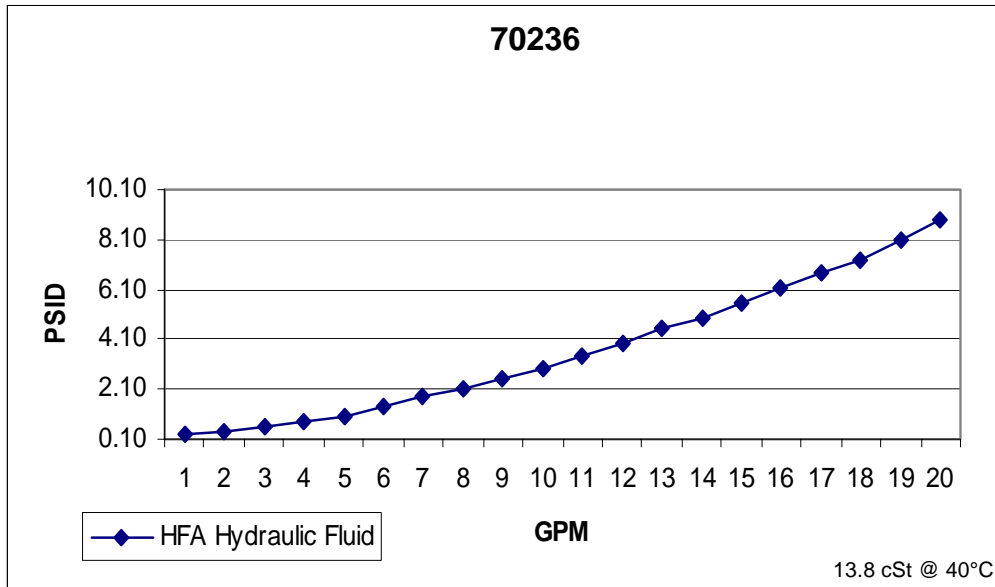
201 N. Champaign St. Bement, Illinois 61813

## 260BHG-10 260 SERIES 10 MICRON BIO-TEK

**Media Type:** Hydroglass

Max Working Pressure (psi): 50

Core Collapse Pressure (psid): 80

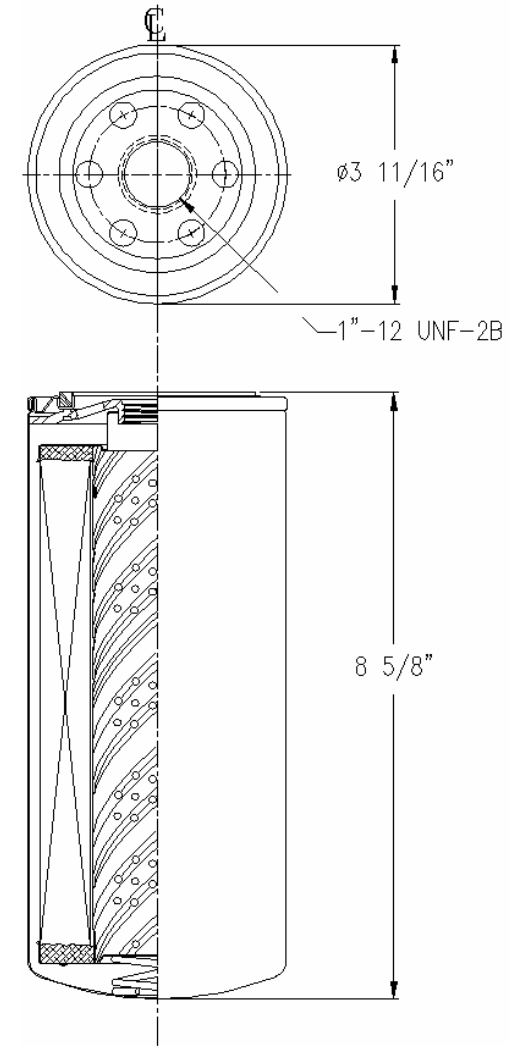


**NOTES:**

1. Technical Data subject to change without notice.
2. Tests are conducted with Mobile Aero HFA Aviation Hydraulic Fluid.
3. Filters are not to be used with aviation applications.

jw 02/20/09 Rev A

### Technical Data Sheet -70236



Gasket:

I. D. 2 13/32

O. D. 2 25/32