



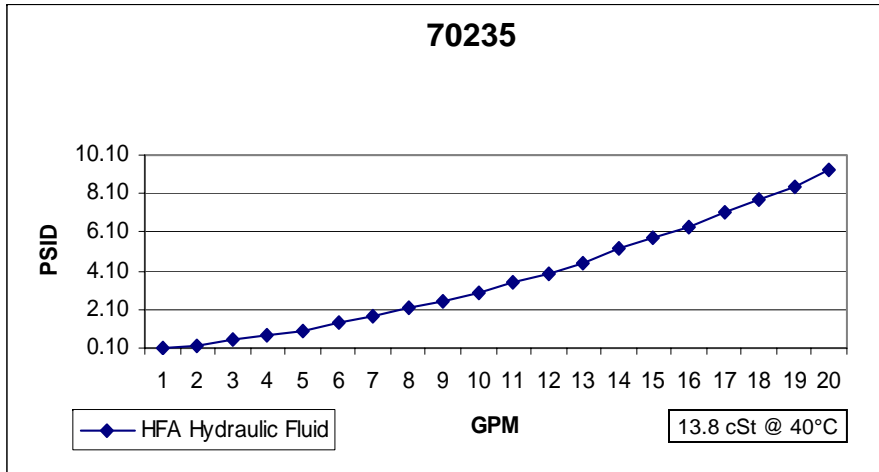
201 N. Champaign St. Bement, Illinois 61813

300BHG-10 300 SERIES 10 MICRON BIO-TEK

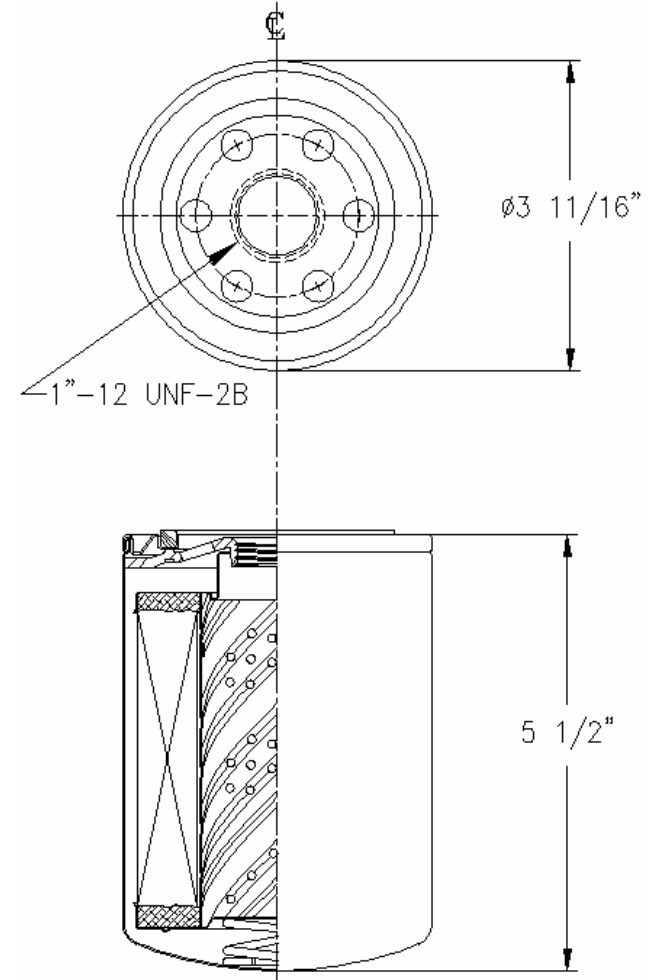
Media Type: Hydroglass

Max Working Pressure (psi): 50

Core Collapse Pressure (psid): 80



Technical Data Sheet -70235



NOTES:

1. Technical Data subject to change without notice.
2. Tests are conducted with Mobile Aero HFA Aviation Hydraulic Fluid.
3. Filters are not to be used with aviation applications.

Gasket:

I. D. 2 13/32

O. D. 2 25/32