



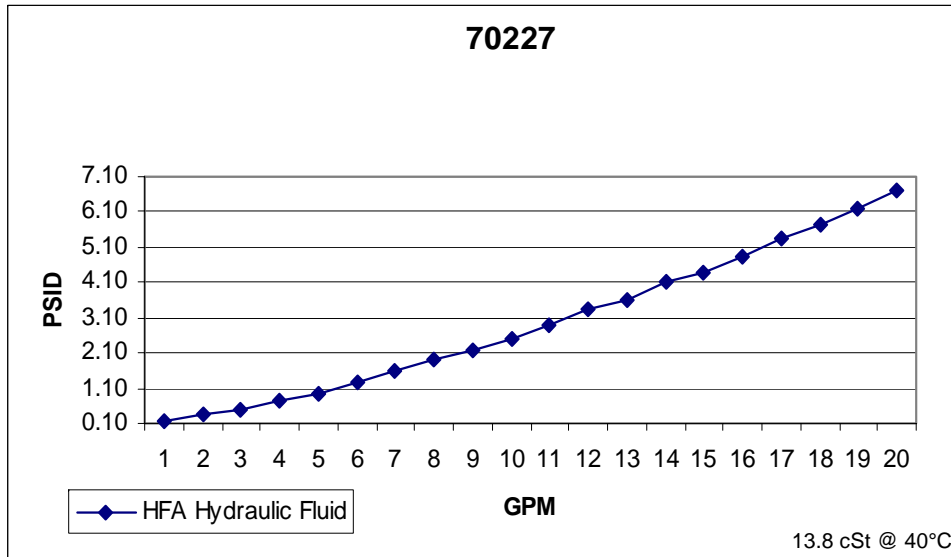
201 N. Champaign St. Bement, Illinois 61813

260ABHG-10 260 SERIES 10 MICRON BIO-TEK

Media Type: Hydroglass

Max Working Pressure (psi): 50

Core Collapse Pressure (psid): 80

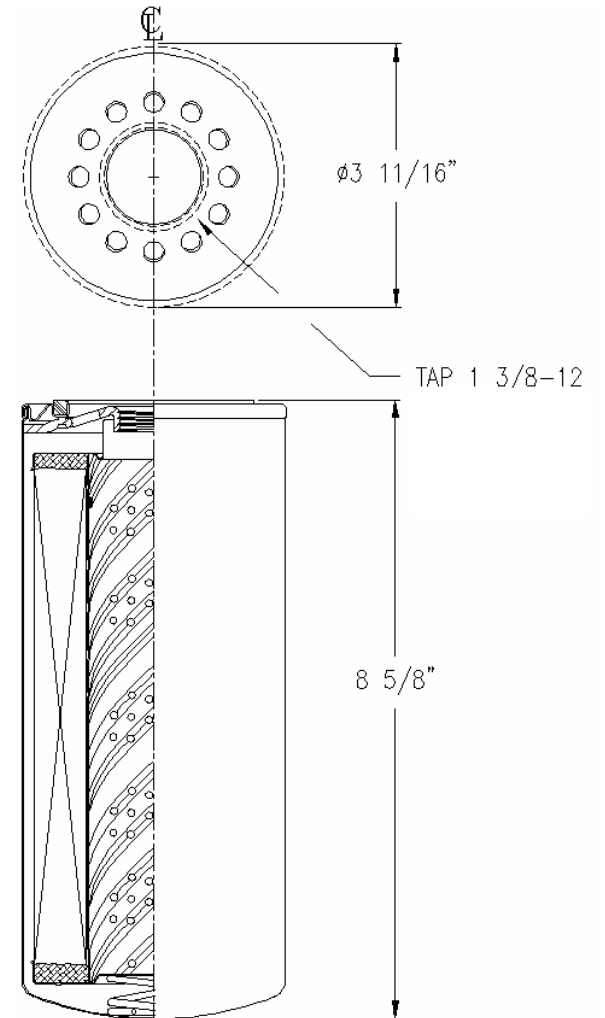


NOTES:

1. Technical Data subject to change without notice.
2. Tests are conducted with Mobile Aero HFA Aviation Hydraulic Fluid.
3. Filters are not to be used with aviation applications.

jw 02/20/09 Rev A

Technical Data Sheet -70227



Gasket:

I. D. 2 13/32

O. D. 2 25/32