



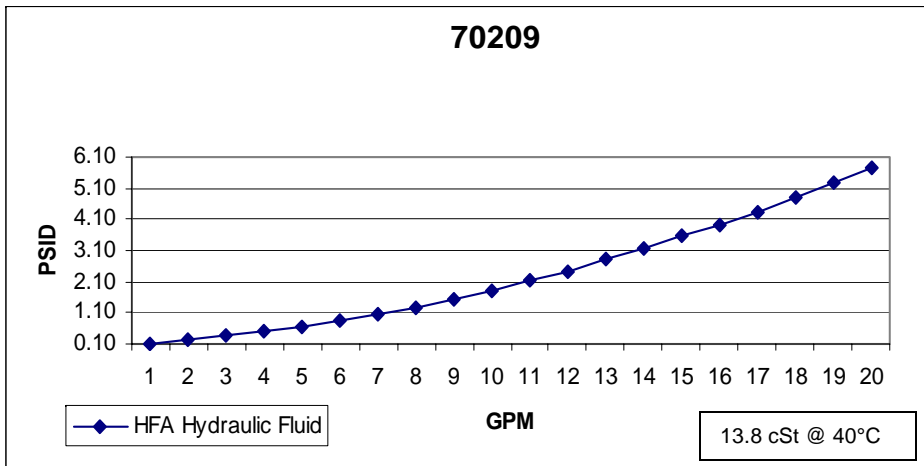
201 N. Champaign St. Bement, Illinois 61813

30 SERIES EXTENDED LENGTH 24=75

Media Type: Hydrosorb

Max Working Pressure (psi): 225

Core Collapse Pressure (psid): 80

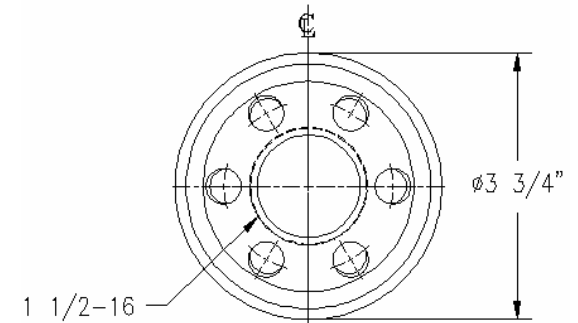


NOTES:

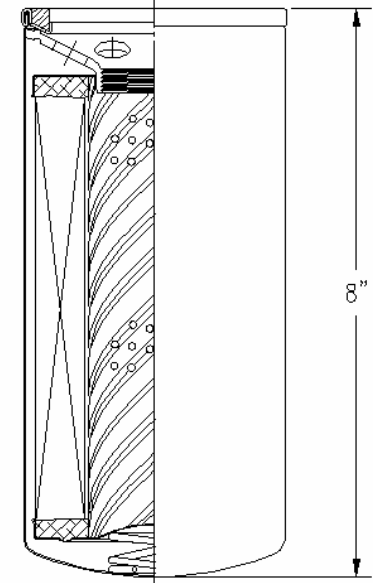
1. Technical Data subject to change without notice.
2. Tests are conducted with Mobile Aero HFA Aviation Hydraulic Fluid.
3. Filters are not to be used with aviation applications.

jw 02/20/09 Rev A

Technical Data Sheet -70209



β14=5
 β24=75
 β27=200
 β29=500



Gasket:

I. D. 2 31/32
 O. D. 3 15/32