



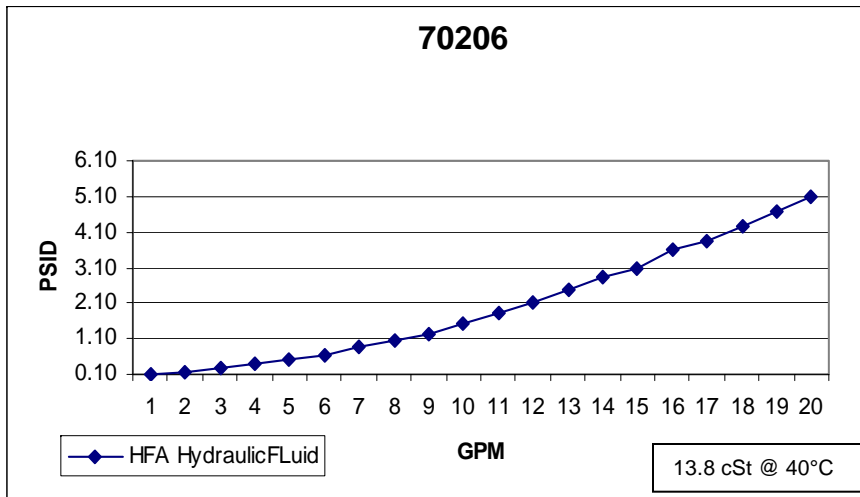
201 N. Champaign St. Bement, Illinois 61813

### 30 SERIES EXTENDED LENGTH B17=75

**Media Type:** Cellulose

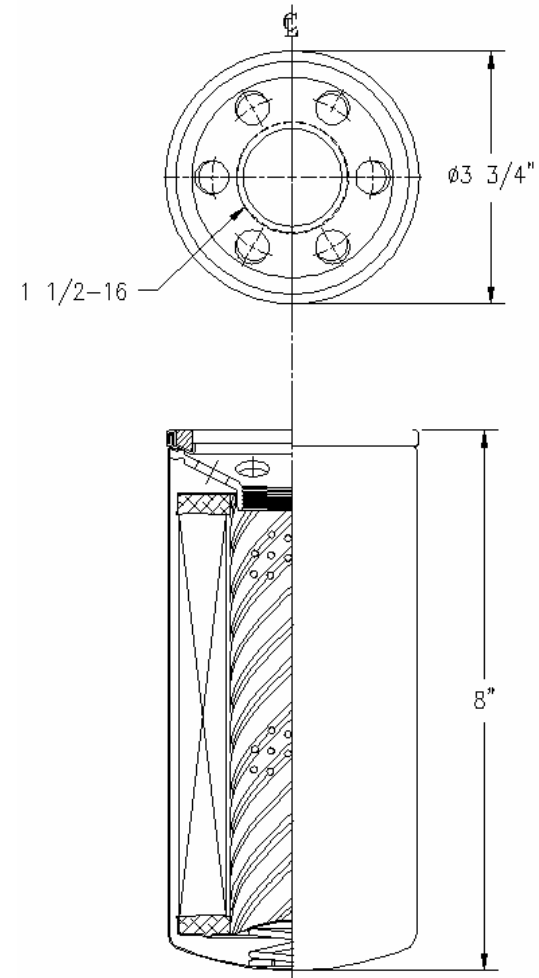
Max Working Pressure (psi): 100

Core Collapse Pressure (psid): 80



B4=2  
 β6=3  
 β14=34  
 β17=75  
 β28=200  
 β>50=500

### Technical Data Sheet - 70206



Gasket:  
 I. D. 2 31/32  
 O. D. 3 15/32

**NOTES:**

1. Technical Data subject to change without notice.
2. Tests are conducted with Mobile Aero HFA Aviation Hydraulic Fluid.
3. Filters are not to be used with aviation applications.