



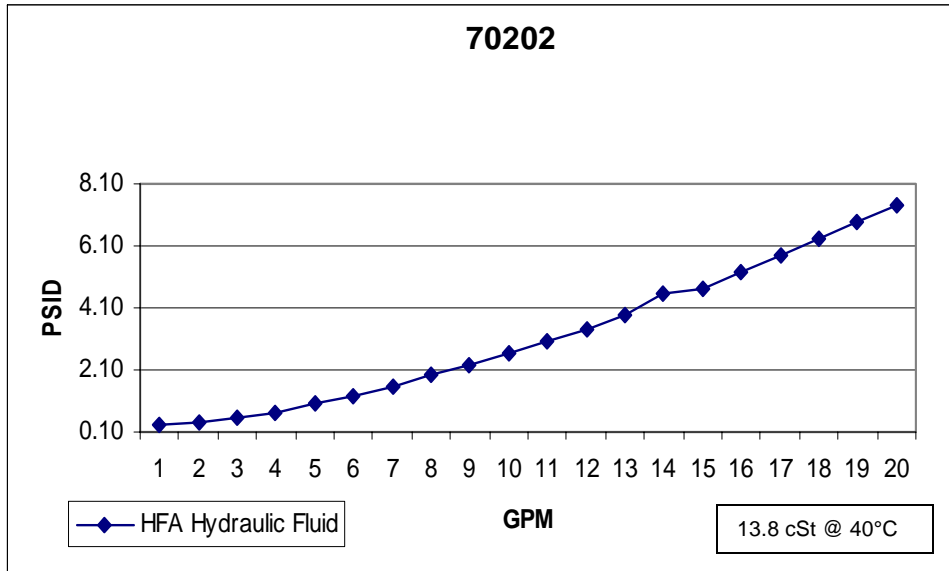
201 N. Champaign St. Bement, Illinois 61813

30 SERIES B9=75

Media Type: Microglass

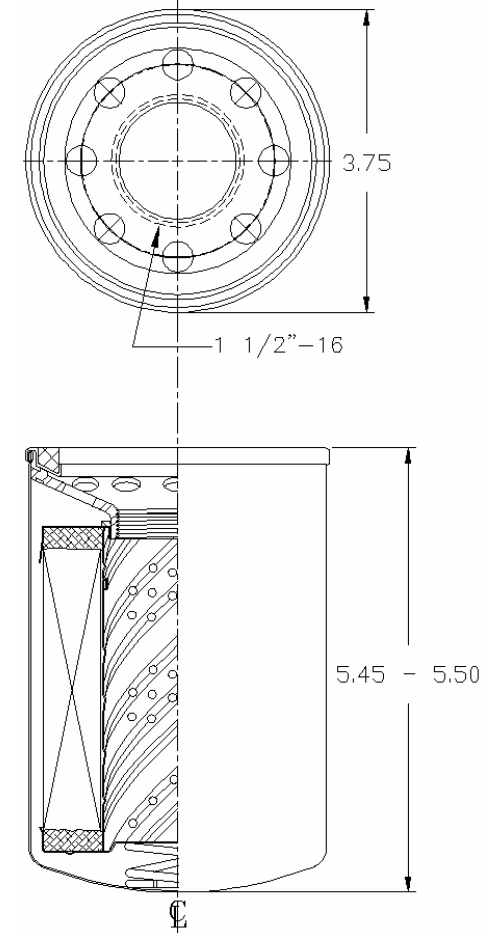
Max Working Pressure (psi): 225

Core Collapse Pressure (psid): 80



B4=6
 β6=19
 β9=75
 β10=200
 β14=500

Technical Data Sheet -70202



Gasket:

I. D. 2 31/32

O. D. 3 15/32

NOTES:

1. Technical Data subject to change without notice.
2. Tests are conducted with Mobile Aero HFA Aviation Hydraulic Fluid.
3. Filters are not to be used with aviation applications.