



201 N. Champaign St. Bement, Illinois 61813

30 SERIES B7=75

Media Type: Microglass

Max Working Pressure (psi): 225

Core Collapse Pressure (psid): 80

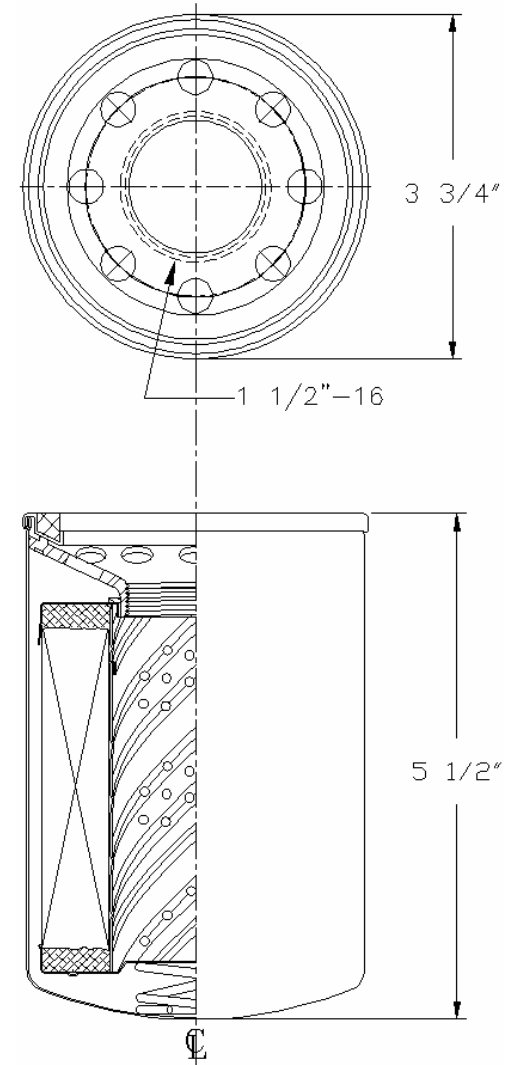
$\beta_4=6$
 $\beta_6=46$
 $\beta_7=75$
 $\beta_{10}=200$
 $\beta_{12}=500$

NOTES:

1. Technical Data subject to change without notice.
2. Tests are conducted with Mobile Aero HFA Aviation Hydraulic Fluid.
3. Filters are not to be used with aviation applications.

jw 02/24/09 Rev A

Technical Data Sheet - 70201



Gasket:

I. D. 2 31/32

O. D. 3 15/32