



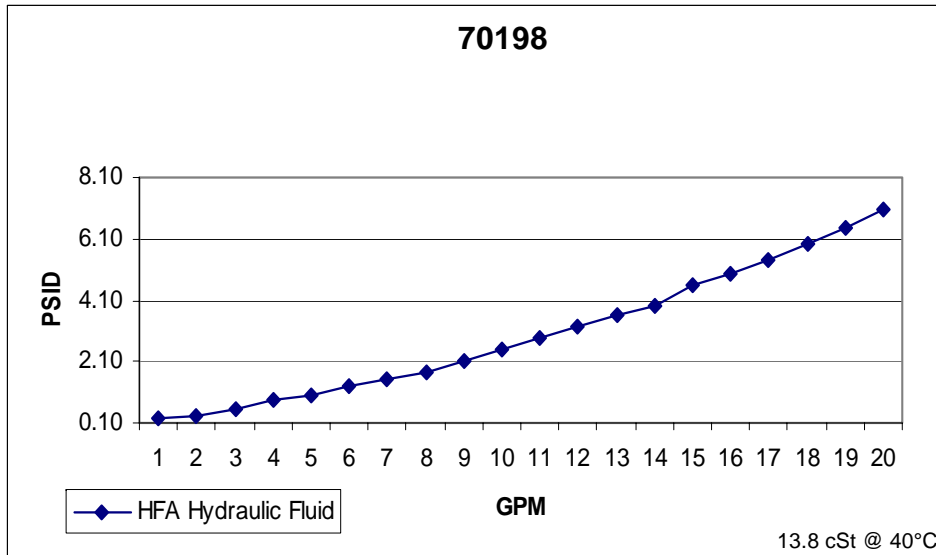
201 N. Champaign St. Bement, Illinois 61813

### 30 SERIES B24=75

**Media Type:** Hydrosorb

Max Working Pressure (psi): 225

Core Collapse Pressure (psid): 80

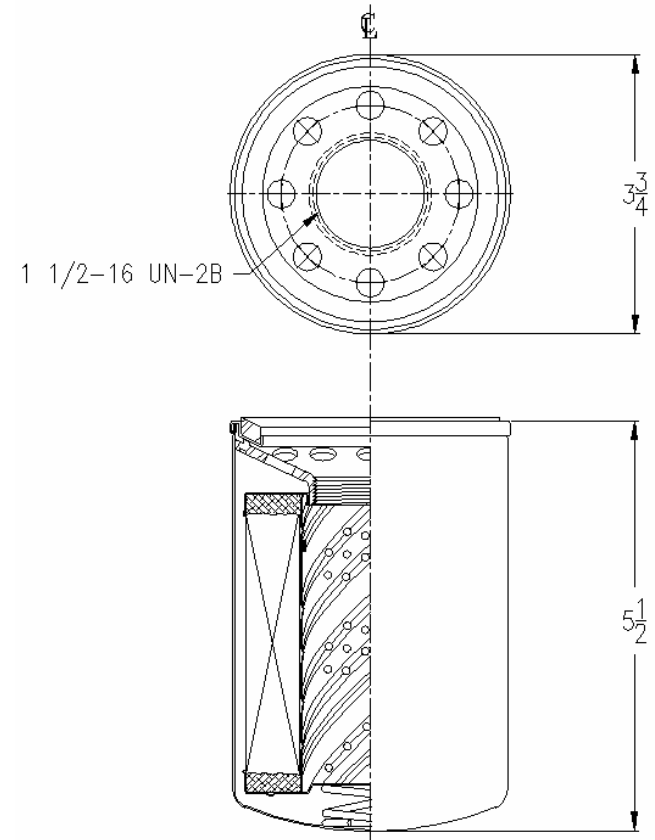


**NOTES:**

1. Technical Data subject to change without notice.
2. Tests are conducted with Mobile Aero HFA Aviation Hydraulic Fluid.
3. Filters are not to be used with aviation applications.

jw 02/20/09 Rev A

### Technical Data Sheet -70198



β14=5  
 β24=75  
 β27=200  
 β29=500

**Gasket:**

I. D. 2 31/32  
 O. D. 3 15/32