



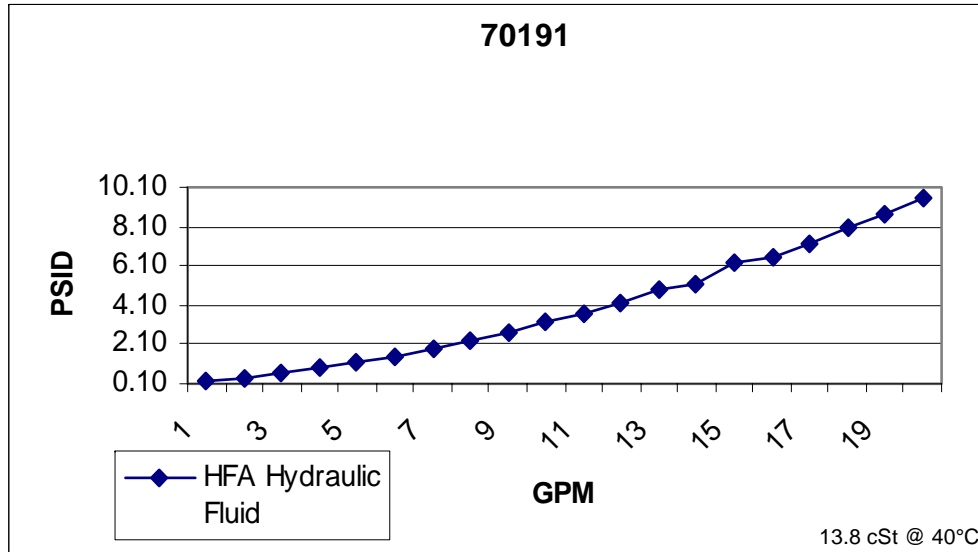
201 N. Champaign St. Bement, Illinois 61813

## 23 SERIES B7=75

**Media Type:** Microglass

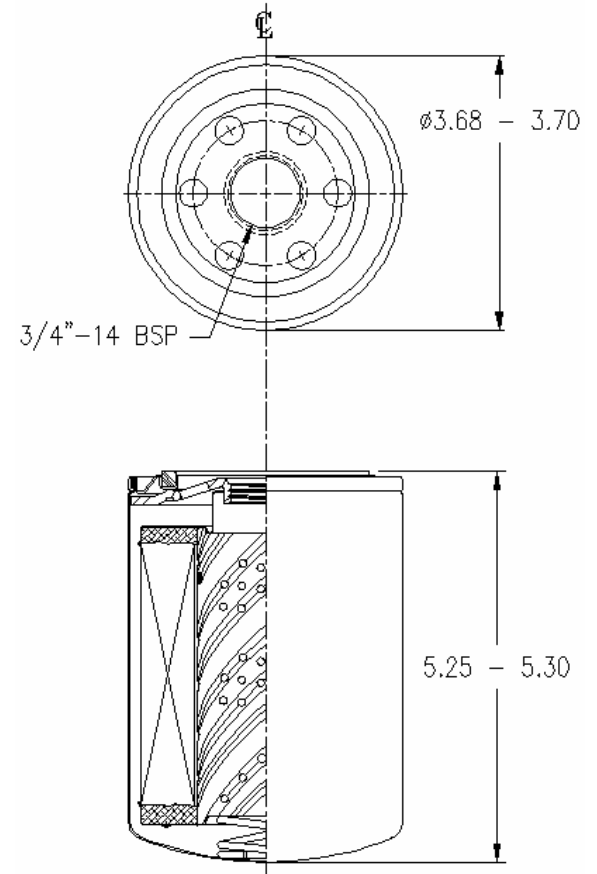
Max Working Pressure (psi): 175

Core Collapse Pressure (psid): 80



B4=10  
 $\beta_6=46$   
 $\beta_7=75$   
 $\beta_{10}=200$   
 $\beta_{12}=500$   
 $\beta_{14}=7000$

## Technical Data Sheet -70191



Gasket:

I. D. 2 13/32

O. D. 2 25/32