



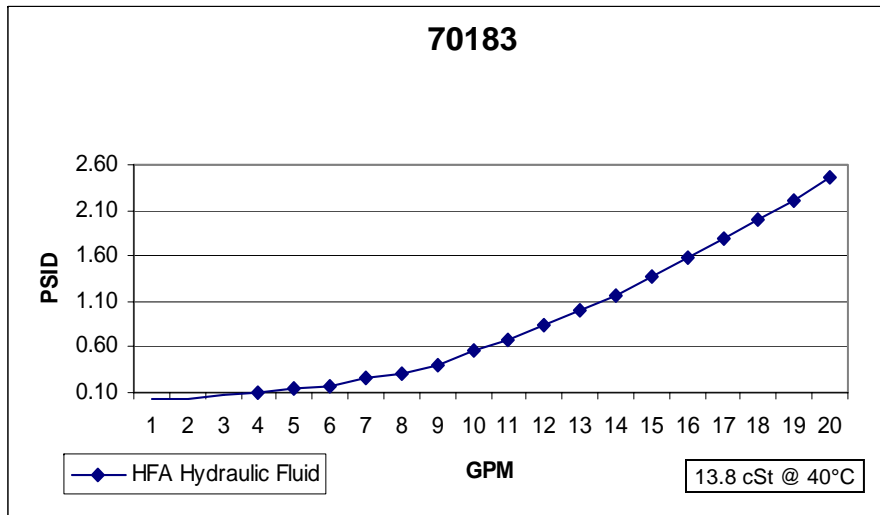
201 N. Champaign St. Bement, Illinois 61813

40 SERIES WIRE MESH

Media Type: Wire mesh

Max Working Pressure (psi): 100

Core Collapse Pressure (psid): 80

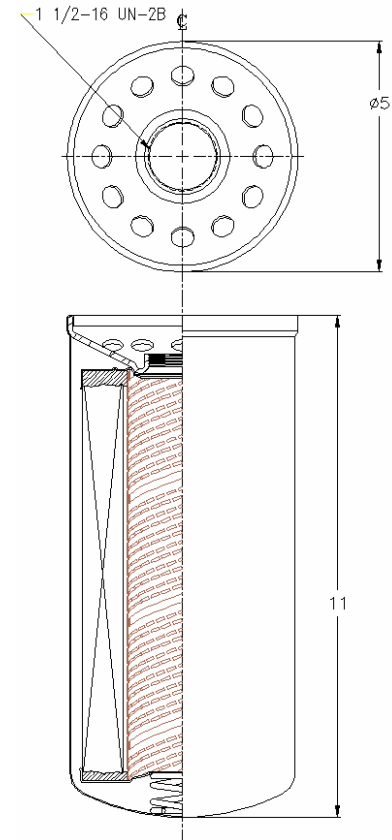


NOTES:

1. Technical Data subject to change without notice.
2. Tests are conducted with Mobile Aero HFA Aviation Hydraulic Fluid.
3. Filters are not to be used with aviation applications.

jw 02/20/09 Rev A

Technical Data Sheet - 70183



Gasket:

I. D. 4 23/32

O. D. 5 1/16

Gasket:

I. D. 4 27/64

O. D. 5 1/32