



201 N. Champaign St. Bement, Illinois 61813

## 40 SERIES B7=75

**Media Type:** Microglass

Max Working Pressure (psi): 100

Core Collapse Pressure (psid): 80

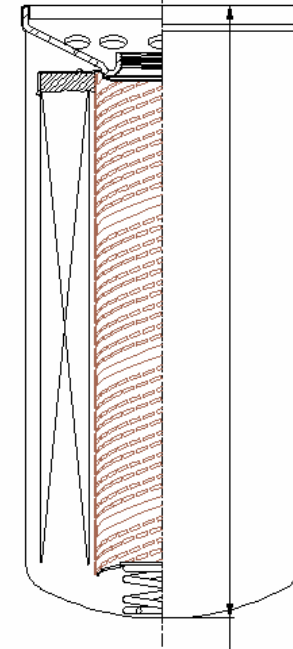
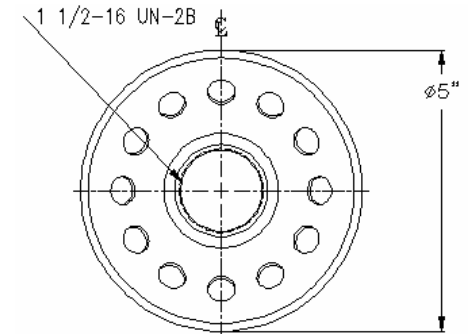
B4=10  
 β6=46  
 β7=75  
 β10=200  
 β12=500  
 β14=7000

### NOTES:

1. Technical Data subject to change without notice.
2. Tests are conducted with Mobile Aero HFA Aviation Hydraulic Fluid.
3. Filters are not to be used with aviation applications.

jw 02/24/09 Rev A

## Technical Data Sheet - 70179



Gasket:  
 I. D. 4 23/32  
 O. D. 5 1/16

Gasket:  
 I. D. 4 27/64  
 O. D. 5 1/32