



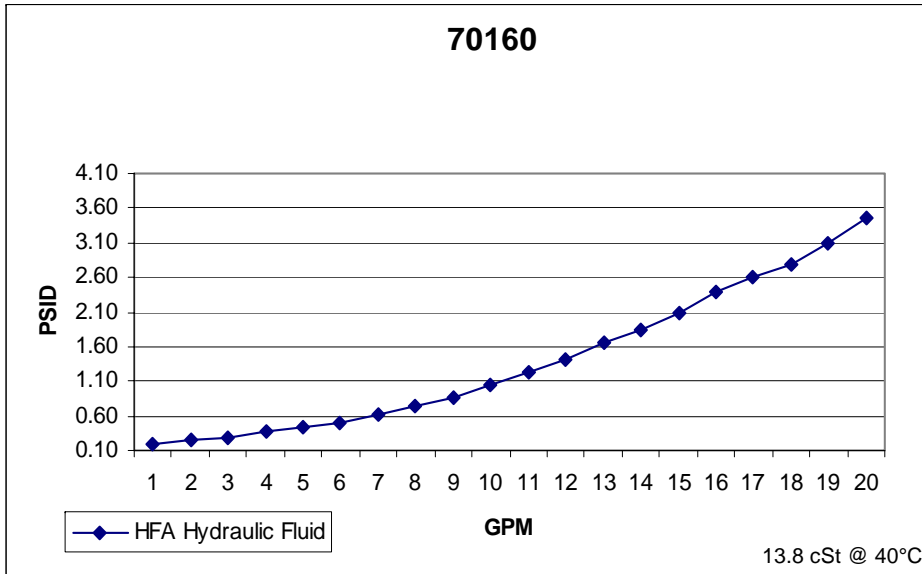
201 N. Champaign St. Bement, Illinois 61813

40 SERIES B24=75

Media Type: Hydrosorb

Max Working Pressure (psi): 100

Core Collapse Pressure (psid): 80

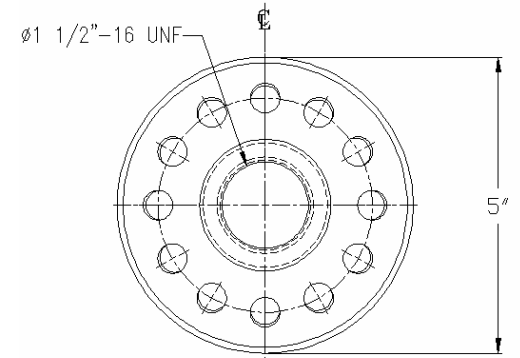


NOTES:

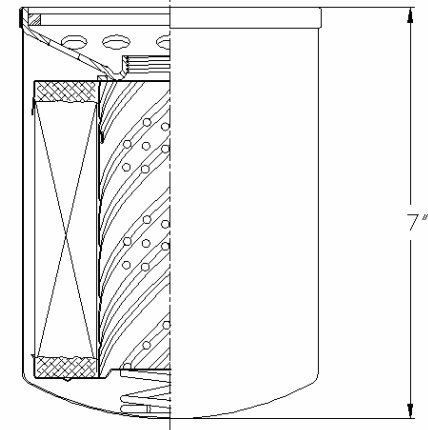
1. Technical Data subject to change without notice.
2. Tests are conducted with Mobile Aero HFA Aviation Hydraulic Fluid.
3. Filters are not to be used with aviation applications.

jw 02/20/09 Rev A

Technical Data Sheet - 70160



β14=5
 β24=75
 β27=200
 β29=500



Gasket:

I. D. 4 23/32
 O. D. 5 1/16

Gasket:

I. D. 4 27/64
 O. D. 5 1/32