



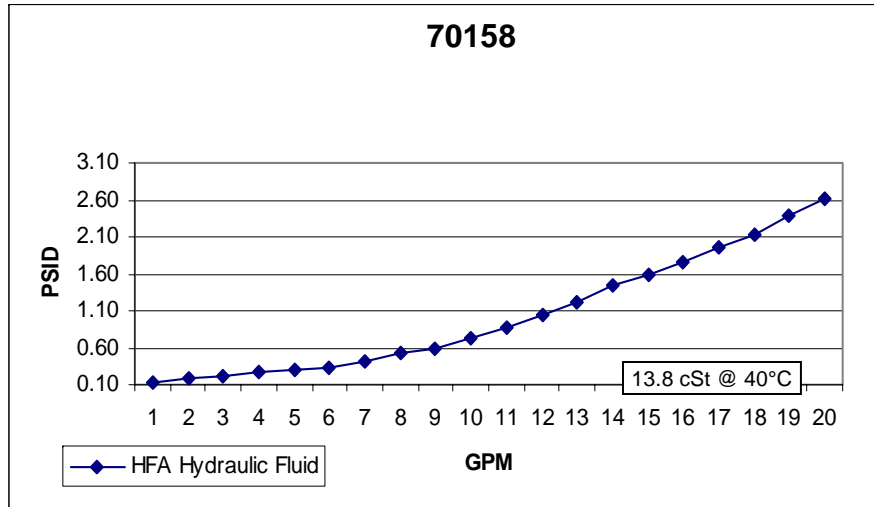
201 N. Champaign St. Bement, Illinois 61813

## 40 SERIES B33=75

**Media Type:** Cellulose

Max Working Pressure (psi): 100

Core Collapse Pressure (psid): 80

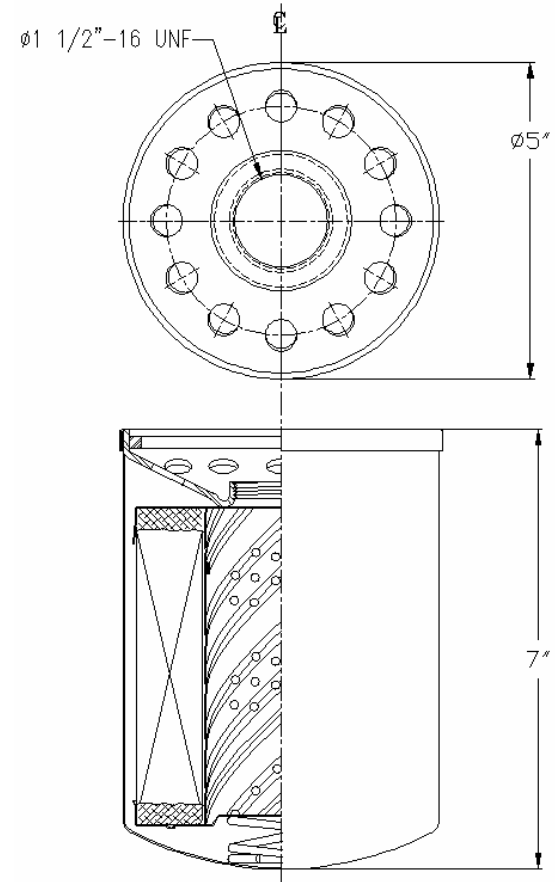


**NOTES:**

1. Technical Data subject to change without notice.
2. Tests are conducted with Mobile Aero HFA Aviation Hydraulic Fluid.
3. Filters are not to be used with aviation applications.

jw 02/20/09 Rev A

### Technical Data Sheet - 70158



B10=2  
 β14=3  
 β33=75  
 β37=200  
 β46=500

**Gasket:**

I. D. 4 23/32

O. D. 5 1/16

**Gasket:**

I. D. 4 27/64

O. D. 5 1/32