



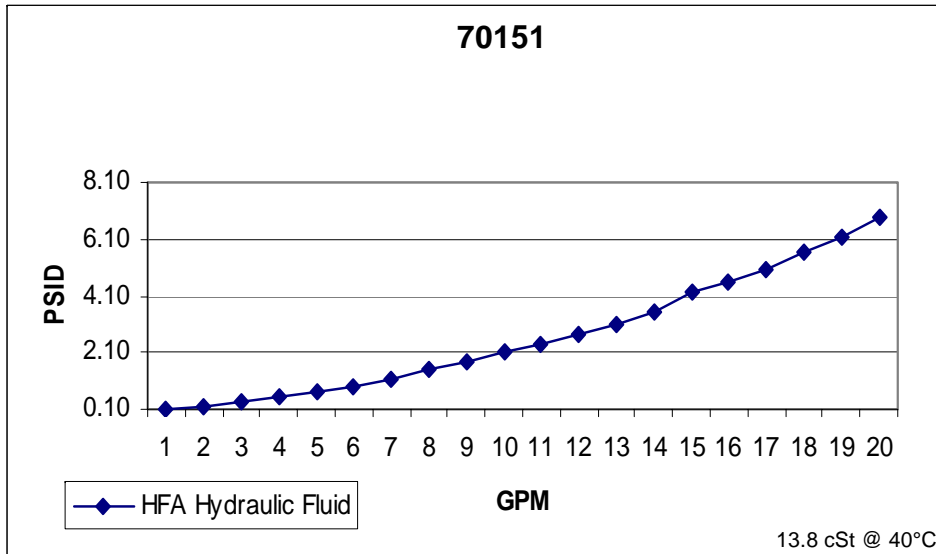
201 N. Champaign St. Bement, Illinois 61813

## 20 SERIES EXTENDED LENGTH B12=75

**Media Type:** Microglass

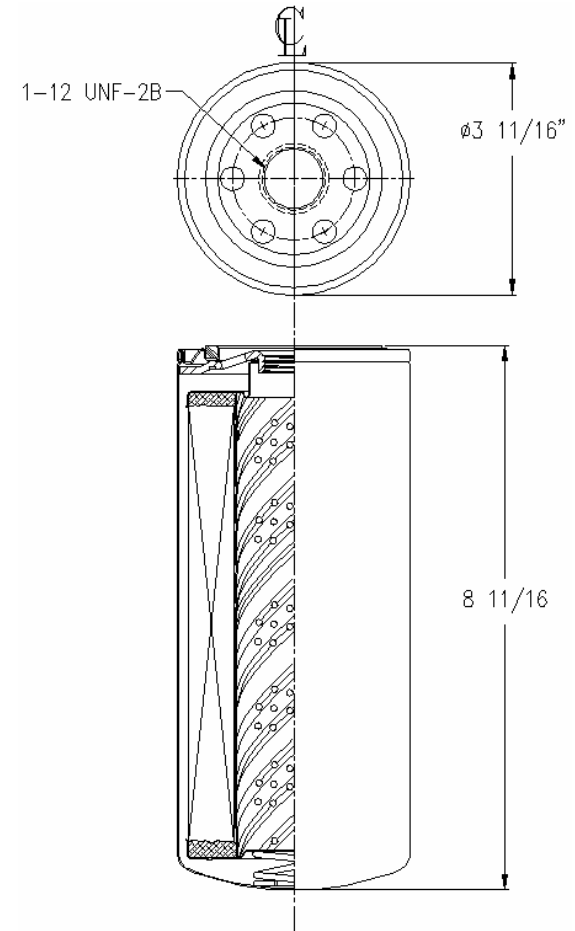
Max Working Pressure (psi): 175

Core Collapse Pressure (psid): 80



β6=2  
 β12=75  
 β13=200  
 β14=500

## Technical Data Sheet - 70151



Gasket:

I. D. 2 13/32

O. D. 2 25/32

**NOTES:**

1. Technical Data subject to change without notice.
2. Tests are conducted with Mobile Aero HFA Aviation Hydraulic Fluid.
3. Filters are not to be used with aviation applications.