



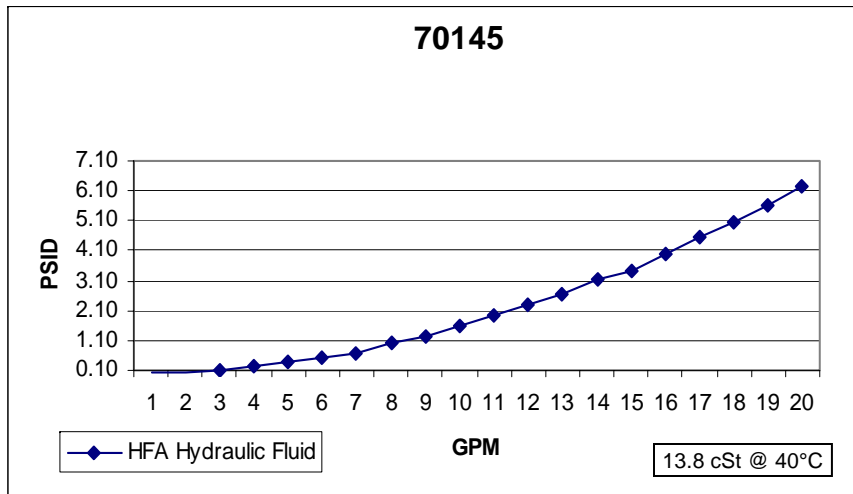
201 N. Champaign St. Bement, Illinois 61813

20 SERIES WIRE MESH

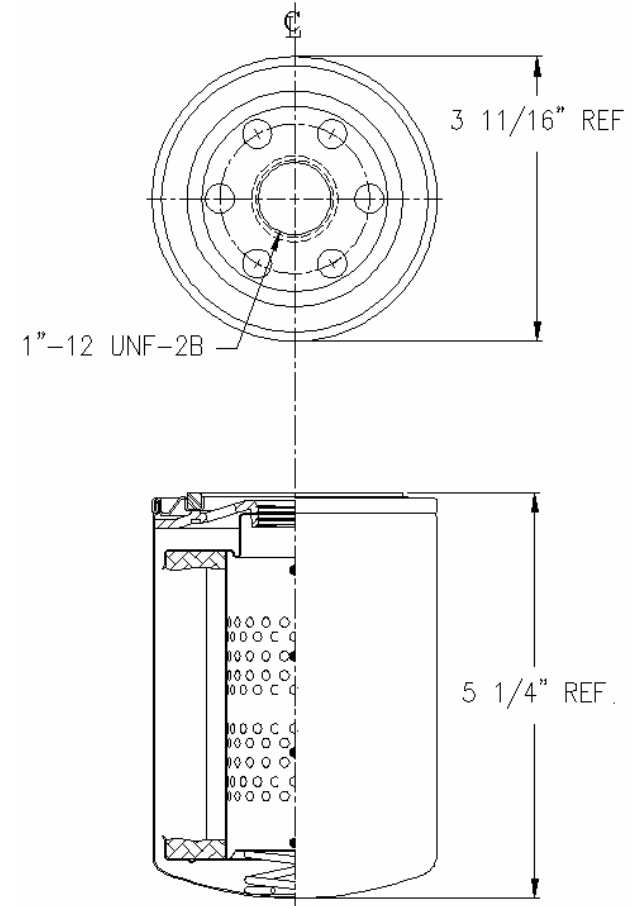
Media Type: Wire mesh

Max Working Pressure (psi): 175

Core Collapse Pressure (psid): 80



Technical Data Sheet - 70145



Gasket:

I. D. 2 13/32

O. D. 2 25/32

NOTES:

1. Technical Data subject to change without notice.
2. Tests are conducted with Mobile Aero HFA Aviation Hydraulic Fluid.
3. Filters are not to be used with aviation applications.