



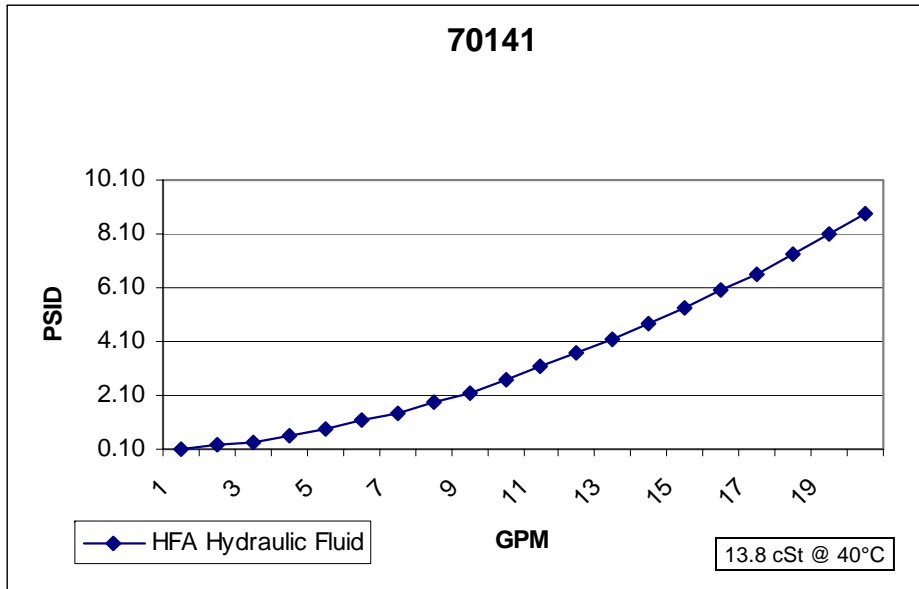
201 N. Champaign St. Bement, Illinois 61813

## 20 SERIES B7=75

**Media Type:** Microglass

Max Working Pressure (psi): 175

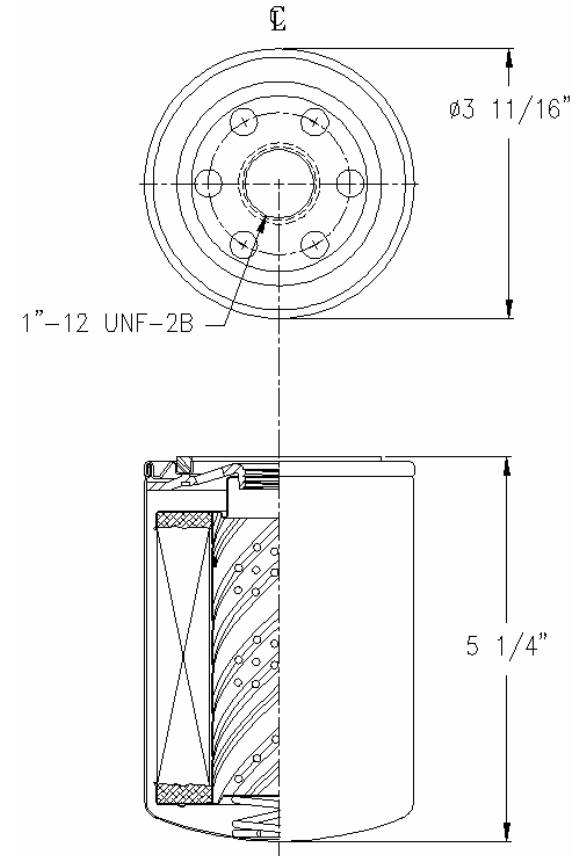
Core Collapse Pressure (psid): 80



**NOTES:**

1. Technical Data subject to change without notice.
2. Tests are conducted with Mobile Aero HFA Aviation Hydraulic Fluid.
3. Filters are not to be used with aviation applications.

## Technical Data Sheet - 70141



- B4=10
- $\beta_6=46$
- $\beta_7=75$
- $\beta_{10}=200$
- $\beta_{12}=500$
- $\beta_{14}=7000$

**Gasket:**

- I. D. 2 13/32
- O. D. 2 25/32