



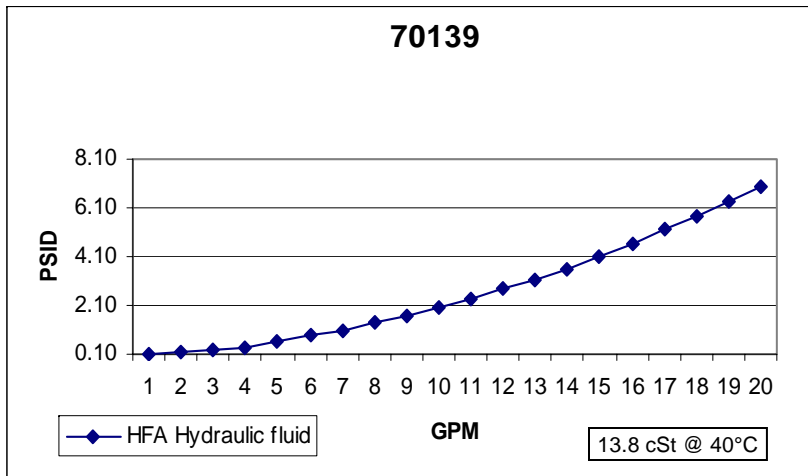
201 N. Champaign St. Bement, Illinois 61813

## 20 SERIES B12=75

**Media Type:** Microglass

Max Working Pressure (psi): 175

Core Collapse Pressure (psid): 80

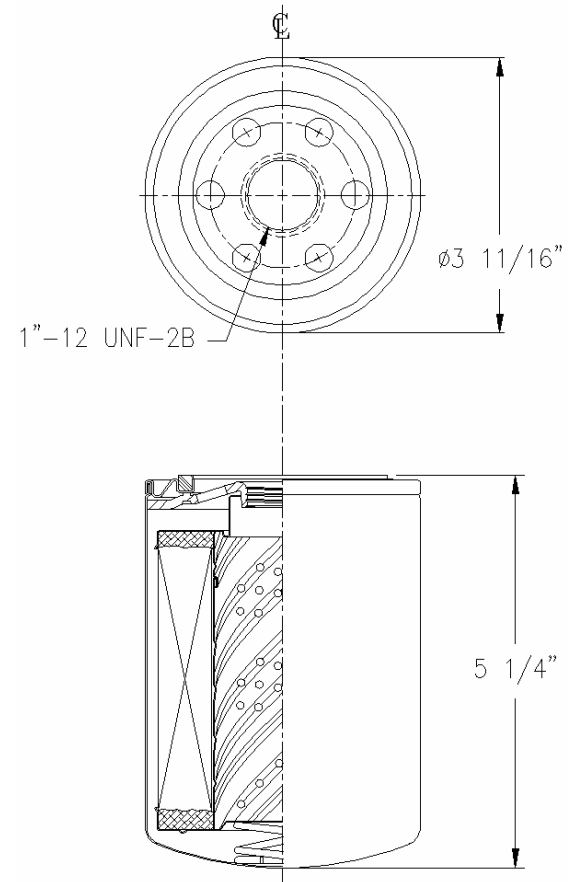


**NOTES:**

1. Technical Data subject to change without notice.
2. Tests are conducted with Mobile Aero HFA Aviation Hydraulic Fluid.
3. Filters are not to be used with aviation applications.

jw 02/20/09 Rev A

## Technical Data Sheet - 70139



$\beta_6=2$   
 $\beta_{12}=75$   
 $\beta_{13}=200$   
 $\beta_{14}=500$

**Gasket:**

I. D. 2  $\frac{13}{32}$   
 O. D. 2  $\frac{25}{32}$