



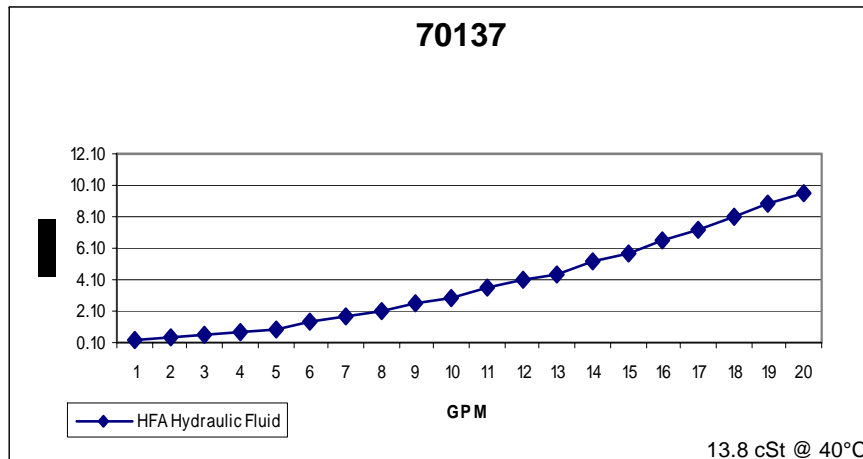
201 N. Champaign St. Bement, Illinois 61813

## 20 SERIES B24=75

**Media Type:** Hydrosorb

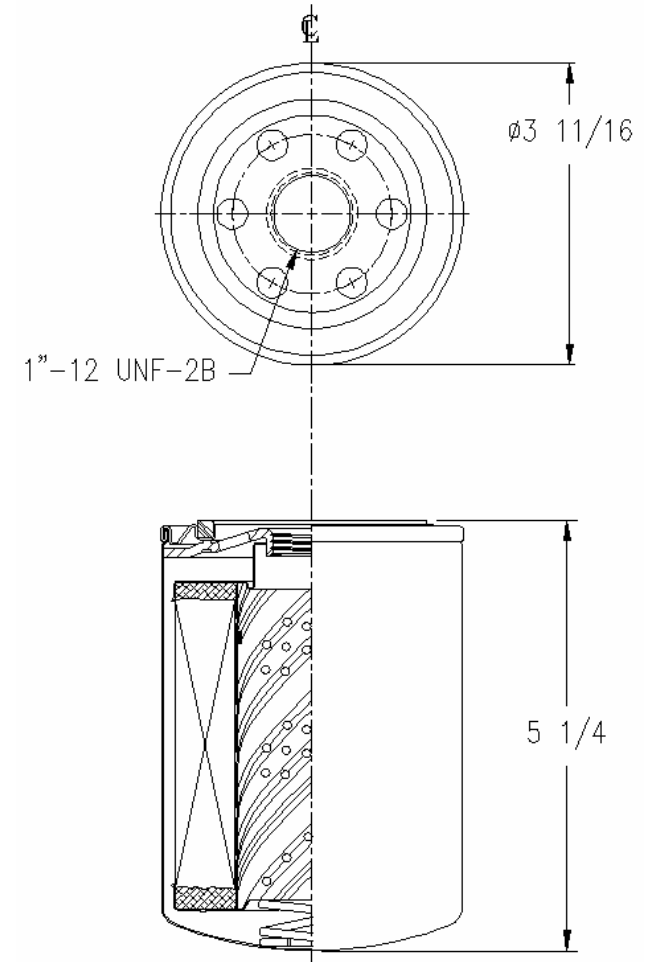
Max Working Pressure (psi): 175

Core Collapse Pressure (psid): 80



β14=5  
β24=75  
β27=200  
β29=500

## Technical Data Sheet - 70137



Gasket:

I. D. 2 13/32  
O. D. 2 25/32

### NOTES:

1. Technical Data subject to change without notice.
2. Tests are conducted with Mobile Aero HFA Aviation Hydraulic Fluid.
3. Filters are not to be used with aviation applications.