



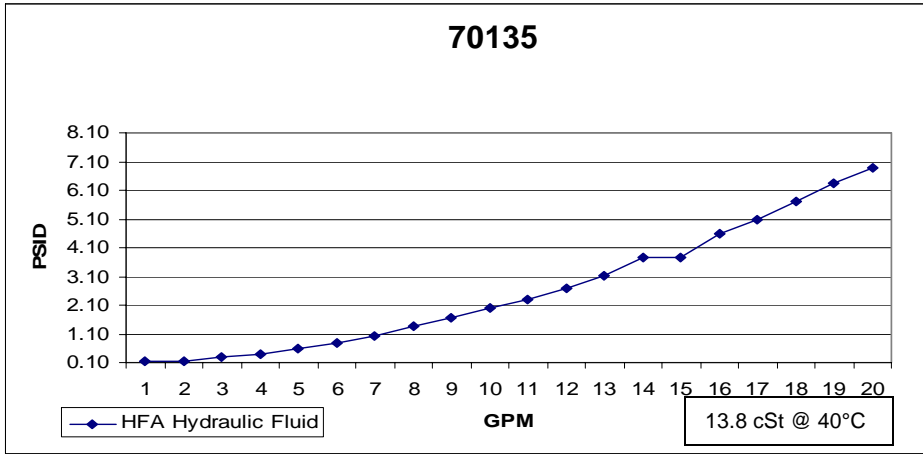
201 N. Champaign St. Bement, Illinois 61813

20 SERIES B33=75

Media Type: Cellulose

Max Working Pressure (psi): 175

Core Collapse Pressure (psid): 80

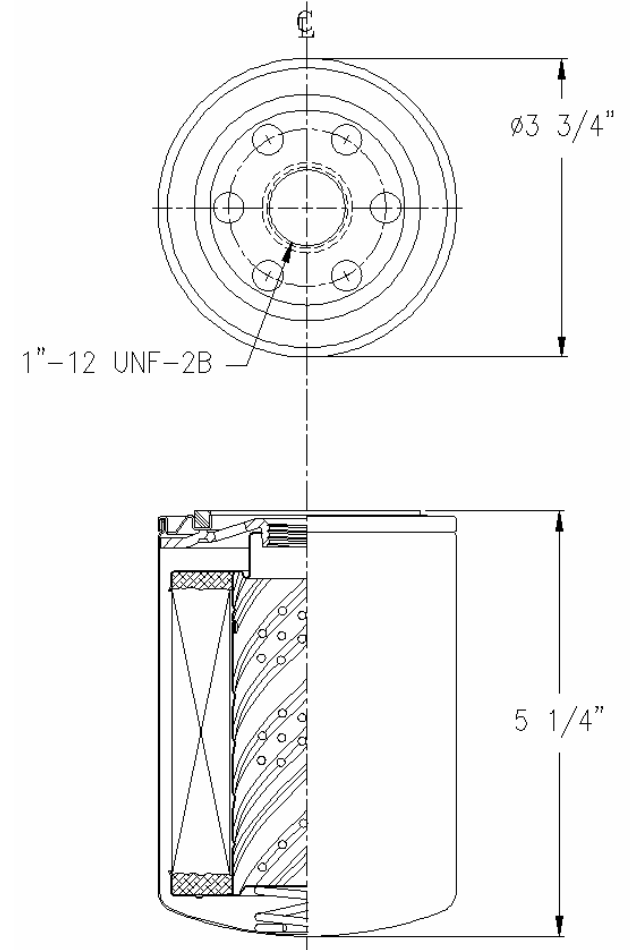


NOTES:

1. Technical Data subject to change without notice.
2. Tests are conducted with Mobile Aero HFA Aviation Hydraulic Fluid.
3. Filters are not to be used with aviation applications.

inti date rev

Technical Data Sheet - 70135



$\beta_{10}=2$
 $\beta_{14}=3$
 $\beta_{33}=75$
 $\beta_{37}=200$
 $\beta_{46}=500$

Gasket:

I. D. 2 $\frac{13}{32}$
 O. D. 2 $\frac{25}{32}$