



201 N. Champaign St. Bement, Illinois 61813

300MB-10 300 SERIES 10 MICRON ALCOHOL MONITOR

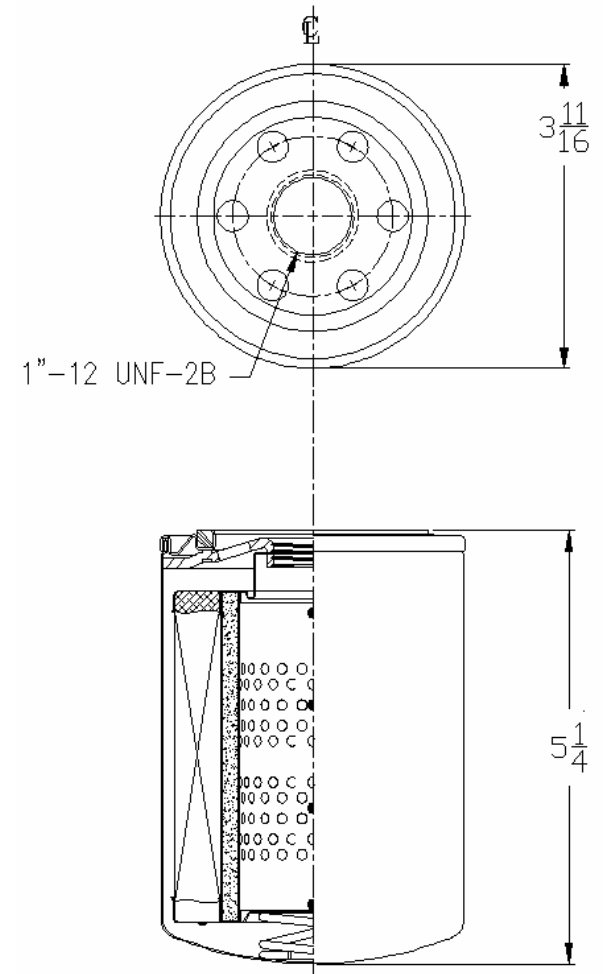
Media Type: Cimglass
Max Working Pressure (psi): 50
Core Collapse Pressure (psid): 80

NOTES:

1. Technical Data subject to change without notice.
2. Tests are conducted with Mobile Aero HFA Aviation Hydraulic Fluid.
3. Filters are not to be used with aviation applications.

jw 02/20/09 Rev A

Technical Data Sheet - 70122



Gasket:

I. D. 2 13/32

O. D. 2 25/32