



201 N. Champaign St. Bement, Illinois 61813

## 260MB-10 260 SERIES 10 MICRON ALCOHOL MONITOR

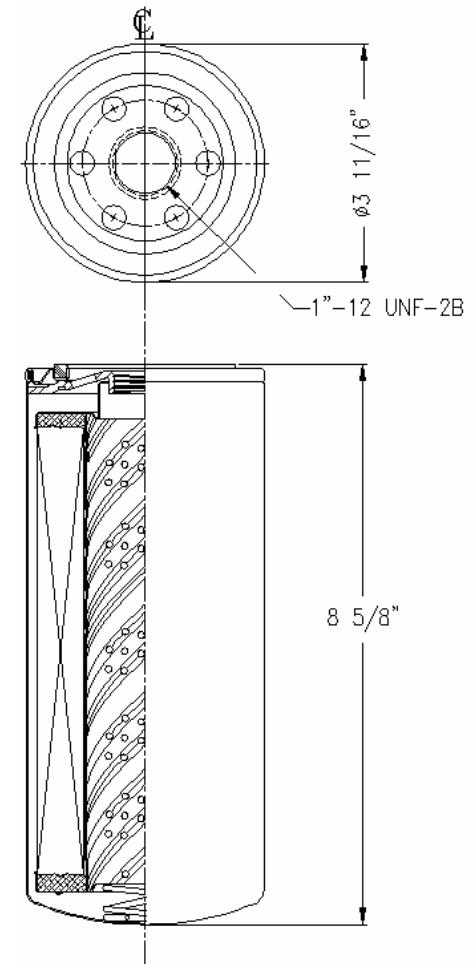
**Media Type:** Cimglass  
Max Working Pressure (psi): 50  
Core Collapse Pressure (psid): 80

### NOTES:

1. Technical Data subject to change without notice.
2. Tests are conducted with Mobile Aero HFA Aviation Hydraulic Fluid.
3. Filters are not to be used with aviation applications.

jw 02/20/09 Rev A

### Technical Data Sheet - 70117



Gasket:

I. D.  $2 \frac{13}{32}$

O. D.  $2 \frac{25}{32}$