

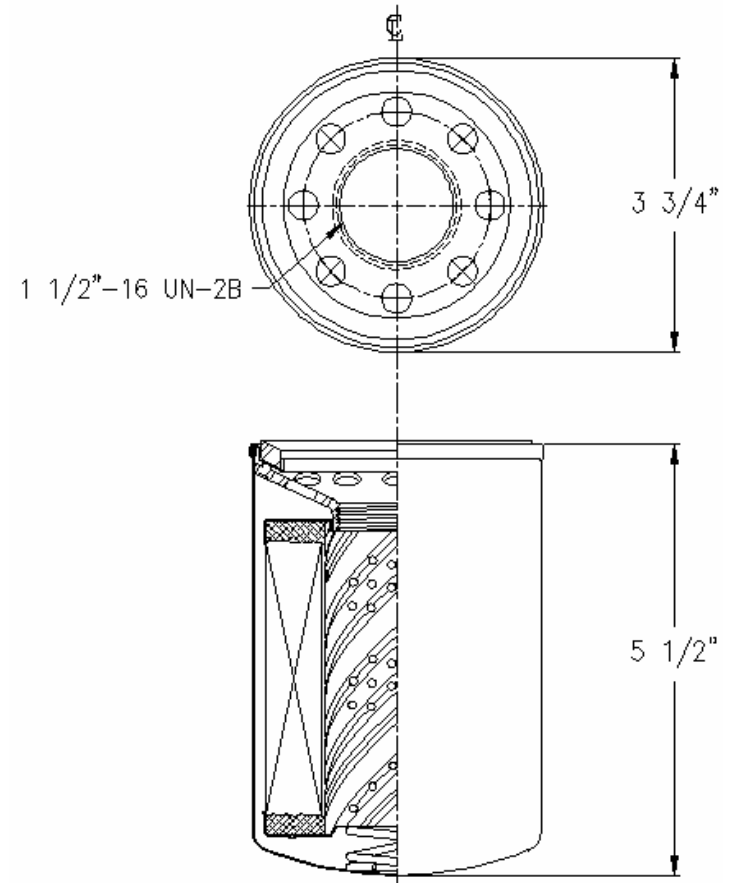


201 N. Champaign St. Bement, Illinois 61813

400MB-05 400 SERIES ALCOHOL MONITOR 5 MICRON

Media Type: Cimglass
Max Working Pressure (psi): 50
Core Collapse Pressure (psid): 80

Technical Data Sheet – 70114



NOTES:

1. Technical Data subject to change without notice.
2. Tests are conducted with Mobile Aero HFA Aviation Hydraulic Fluid.
3. Filters are not to be used with aviation applications.

jw 02/24/09 Rev A

Gasket:

I. D. 2 31/32
O. D. 3 15/32