



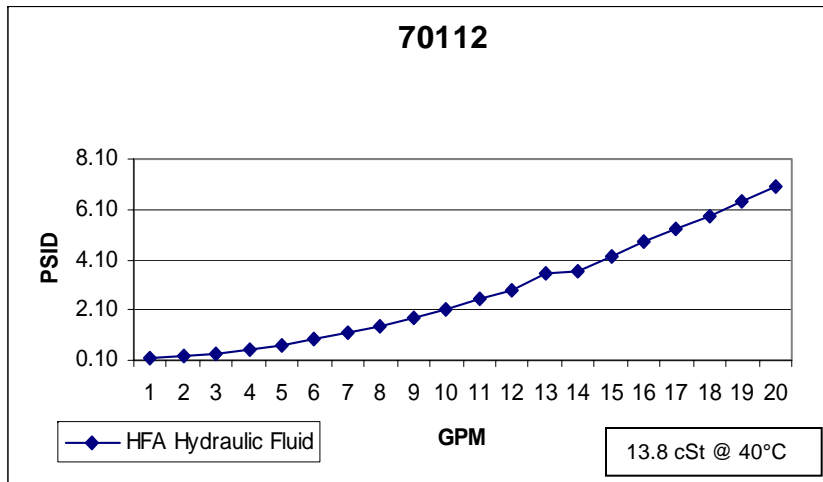
201 N. Champaign St. Bement, Illinois 61813

## 22 SERIES EXTENDED LENGTH B17=75

**Media Type:** Cellulose

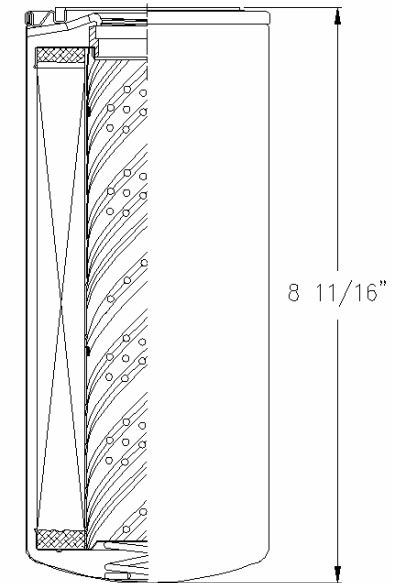
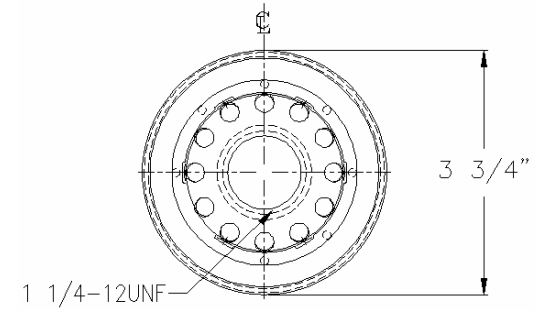
Max Working Pressure (psi): 175

Core Collapse Pressure (psid): 80



$\beta_4=2$   
 $\beta_6=3$   
 $\beta_{14}=34$   
 $\beta_{17}=75$   
 $\beta_{28}=200$

## Technical Data Sheet - 70112



**Gasket:**

I. D. 2 13/32

O. D. 2 25/32

**NOTES:**

1. Technical Data subject to change without notice.
2. Tests are conducted with Mobile Aero HFA Aviation Hydraulic Fluid.
3. Filters are not to be used with aviation applications.