

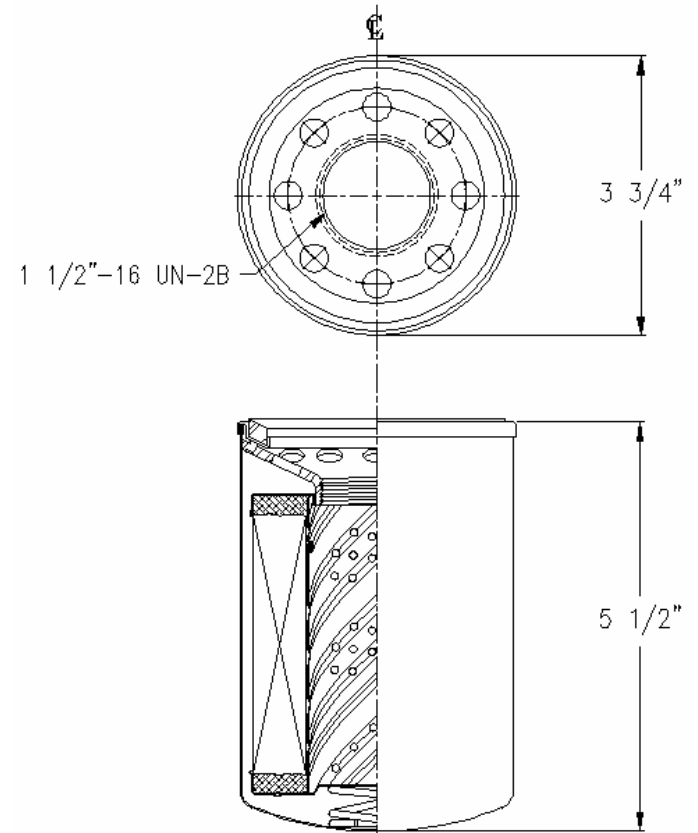


201 N. Champaign St. Bement, Illinois 61813

## 400MB-30 400 SERIES 30 MICRON ALCOHOL MONITOR

**Media Type:** Cimglass  
Max Working Pressure (psi): 50  
Core Collapse Pressure (psid): 80

### Technical Data Sheet - 70106



#### NOTES:

1. Technical Data subject to change without notice.
2. Tests are conducted with Mobile Aero HFA Aviation Hydraulic Fluid.
3. Filters are not to be used with aviation applications.

jw 02/19/09 Rev A

#### Gasket:

I. D. 2 31/32  
O. D. 3 15/32