



201 N. Champaign St. Bement, Illinois 61813

## 22 SERIES B33=75

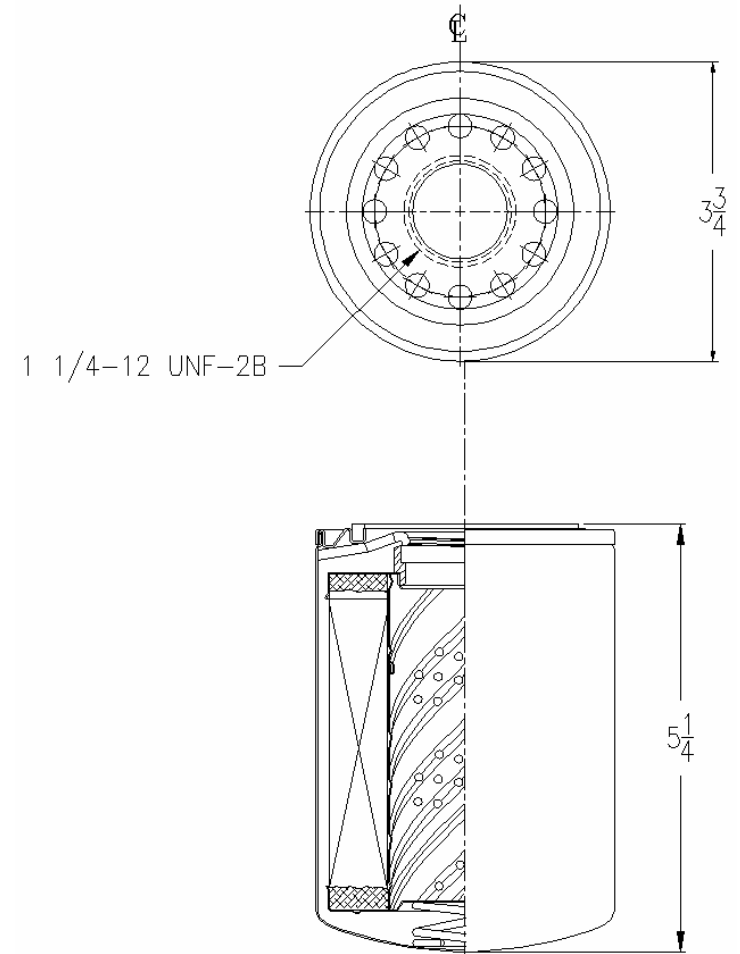
**Media Type:** Cellulose

Max Working Pressure (psi): 175

Core Collapse Pressure (psid): 80

B10=2  
β14=3  
β33=75  
β37=200  
β46=500

## Technical Data Sheet - 70102



### NOTES:

1. Technical Data subject to change without notice.
2. Tests are conducted with Mobile Aero HFA Aviation Hydraulic Fluid.
3. Filters are not to be used with aviation applications.

jw 02/24/09 Rev A

### Gasket:

I. D. 2 13/32

O. D. 2 25/32