



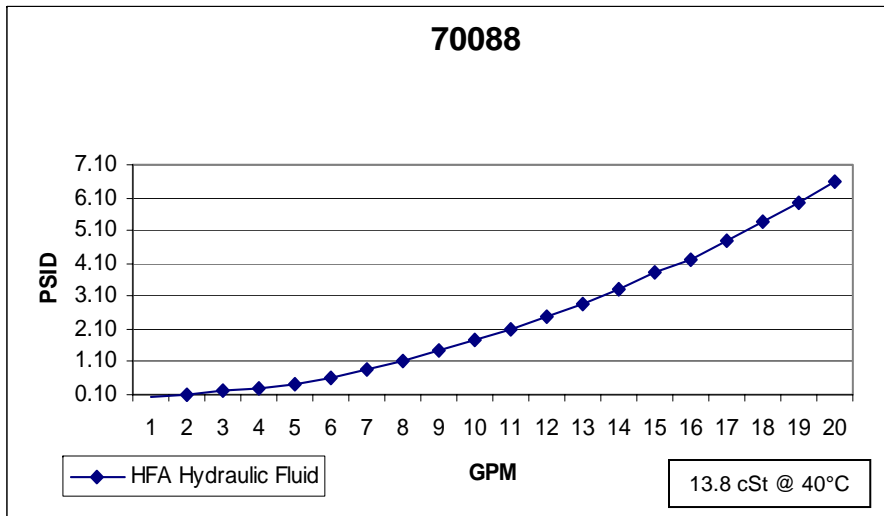
201 N. Champaign St. Bement, Illinois 61813

## 250E-30 250 SERIES 30 MICRON

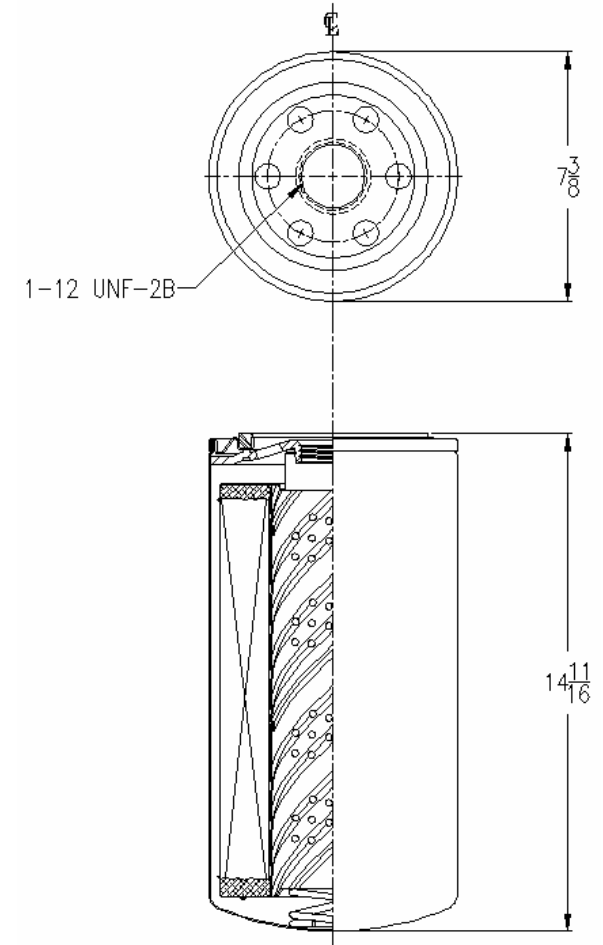
**Media Type:** Cellulose

Max Working Pressure (psi): 50

Core Collapse Pressure (psid): 80



## Technical Data Sheet - 70088



### NOTES:

1. Technical Data subject to change without notice.
2. Tests are conducted with Mobile Aero HFA Aviation Hydraulic Fluid.
3. Filters are not to be used with aviation applications.

### Gasket:

I. D. 2 13/32

O. D. 2 25/32